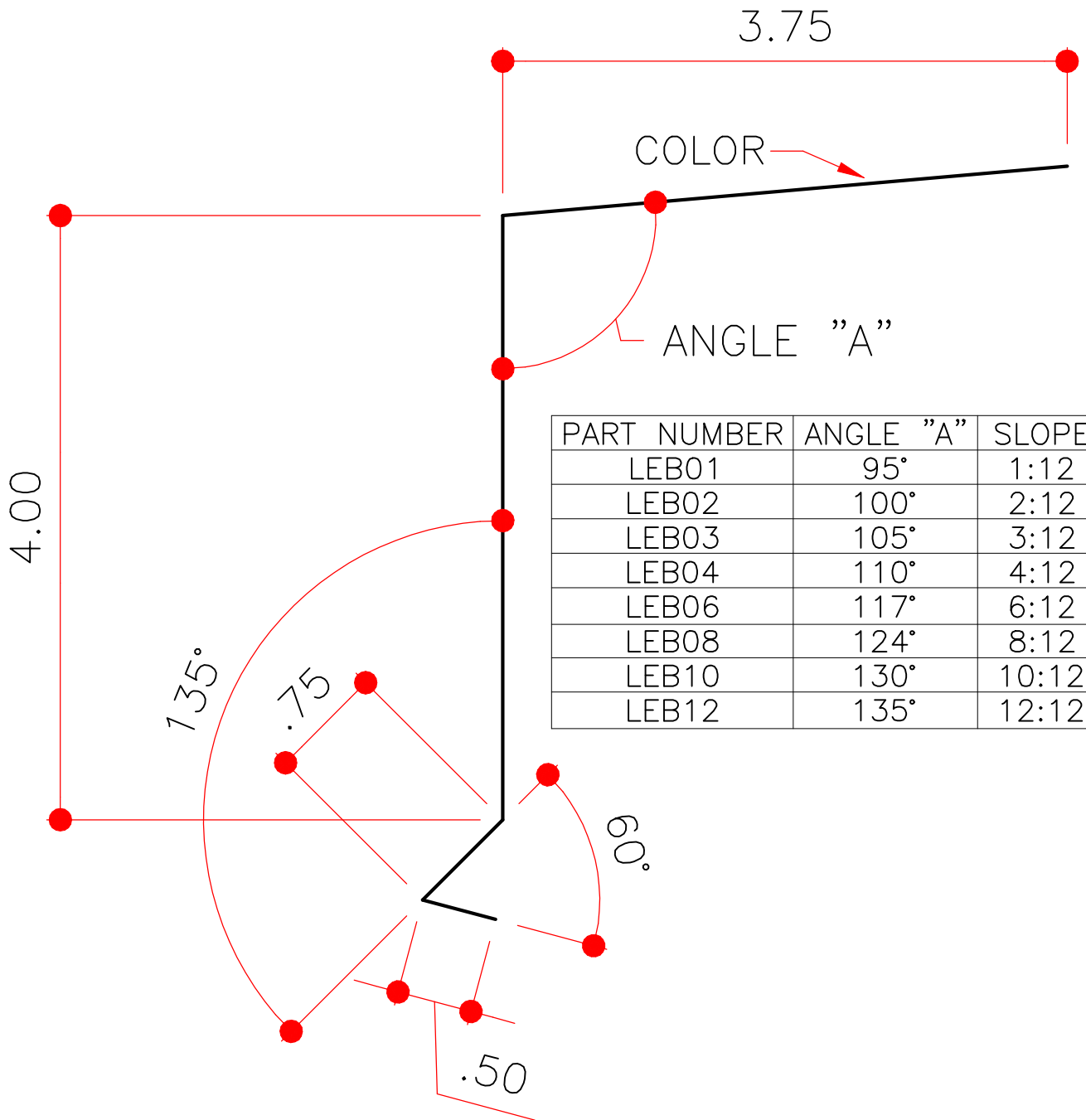


LOW EAVE TRIM (CANOPIES & OVERHANGS)

LEB__

MASTER PART NUMBER	VINTAGE	AVAILABLE COLORS	THICKNESS	YIELD	BLANK WIDTH	BLANK LENGTH	TOTAL WEIGHT LBS	LRC
LEB__	B	ALL	24 or 26 GA	33 KSI	9.000	122.000	5.91	W 05A S 05A T 05A U 05A



PART NUMBER	ANGLE "A"	SLOPE
LEB01	95°	1:12
LEB02	100°	2:12
LEB03	105°	3:12
LEB04	110°	4:12
LEB06	117°	6:12
LEB08	124°	8:12
LEB10	130°	10:12
LEB12	135°	12:12