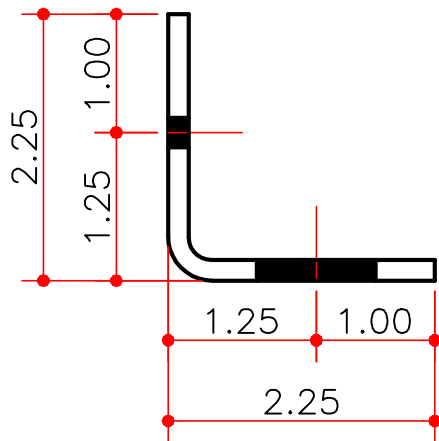
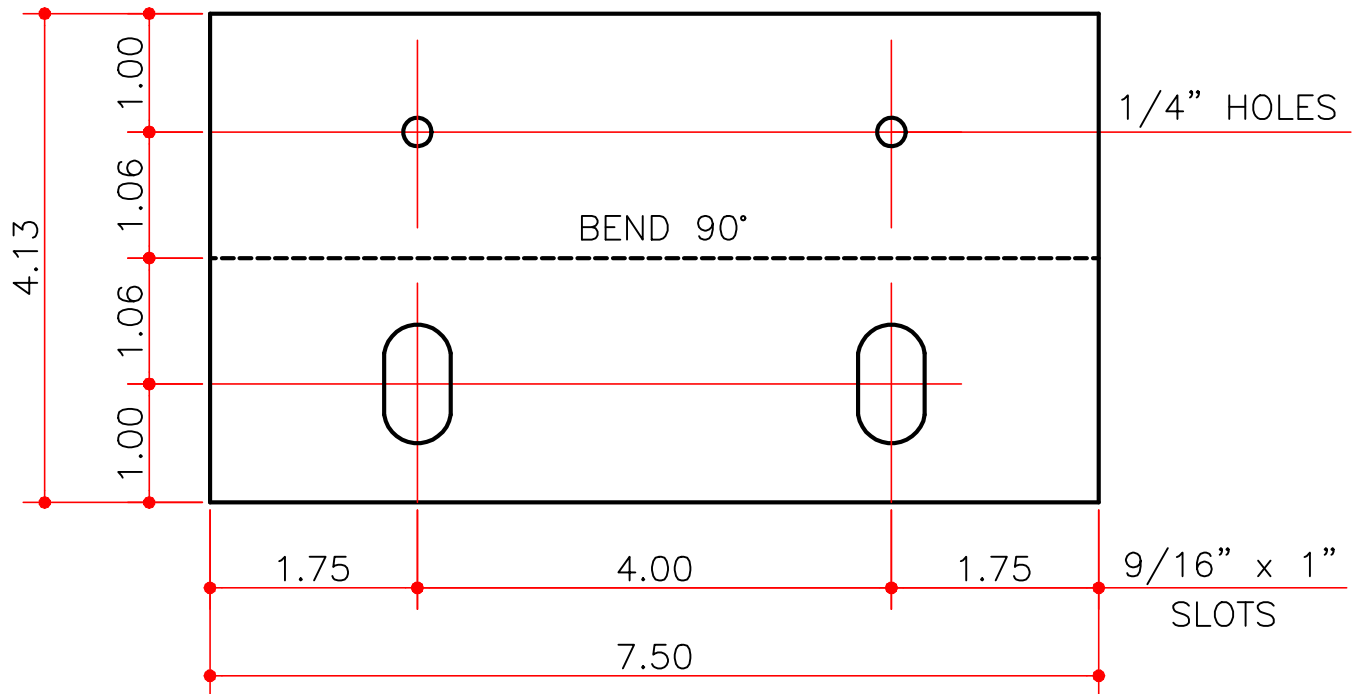


8" WINDOW JAMB FRICTION CLIP

JCB02

MASTER PART NUMBER	VINTAGE	AVAILABLE COLORS	THICKNESS	YIELD	BLANK WIDTH	BLANK LENGTH	TOTAL WEIGHT LBS	LRC
JCB02	C	BK,RP,GP	0.188	55 KSI	7.500	4.125	1.65	W 07A S 07A T 07A U 07A

NOTE TO SWANSEA: THIS PART CAN BE FABRICATED FROM 5" WIDE WEB MATERIAL. HOLD THE DIMENSION FROM THE BEND TO THE CENTERLINE OF THE SLOT.



NOTES:

- 1) USE WITH JCP02 FOR THE FOLLOWING CONDITIONS:
 - a) 8" JAMB TO 8" HEADER