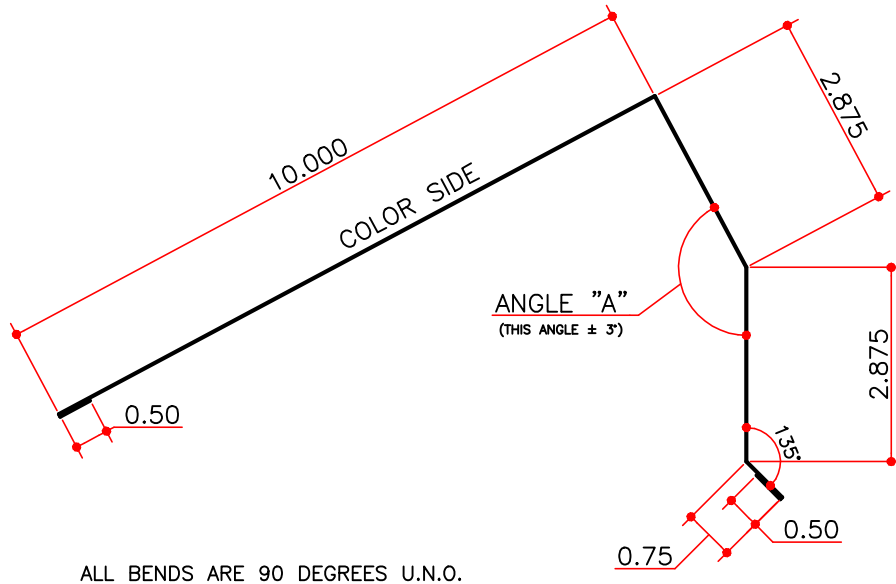


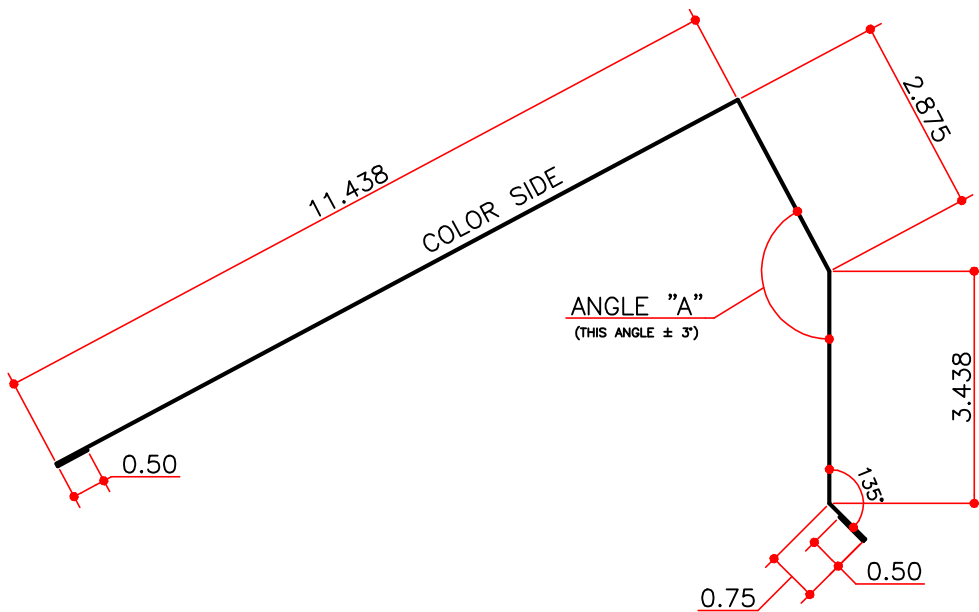
HIGH EAVE SIMPLE TRIM (CFR)

HEE__

MASTER PART NUMBER	VINTAGE	AVAILABLE COLORS	THICKNESS	YIELD	BLANK WIDTH	BLANK LENGTH	TOTAL WEIGHT LBS	LRC
								W 05A S 05A T 05A U 05A
HEE01	A	ALL	24 or 26 GA	33 KSI	17.500	242.000	22.80	
HEE03					17.500	242.000	22.80	
HEE06					17.500	242.000	22.80	
HEE09					19.500	242.000	25.40	
HEE12					19.500	242.000	25.40	



ROOF SLOPE	ANGLE "A"	PART NUMBER
≤1:12	175°	HEE01
2:12	166°	HEE03
3:12		
4:12		
5:12	153°	HEE06
6:12		
7:12		



ROOF SLOPE	ANGLE "A"	PART NUMBER
8:12	143°	HEE09
9:12		
10:12		
11:12	135°	HEE12
12:12		