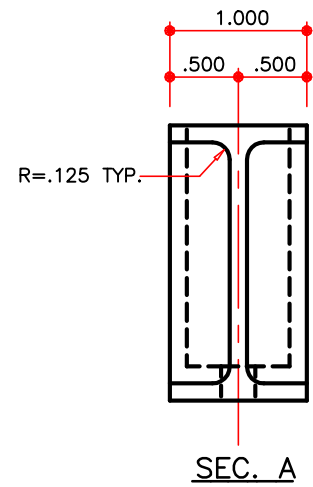
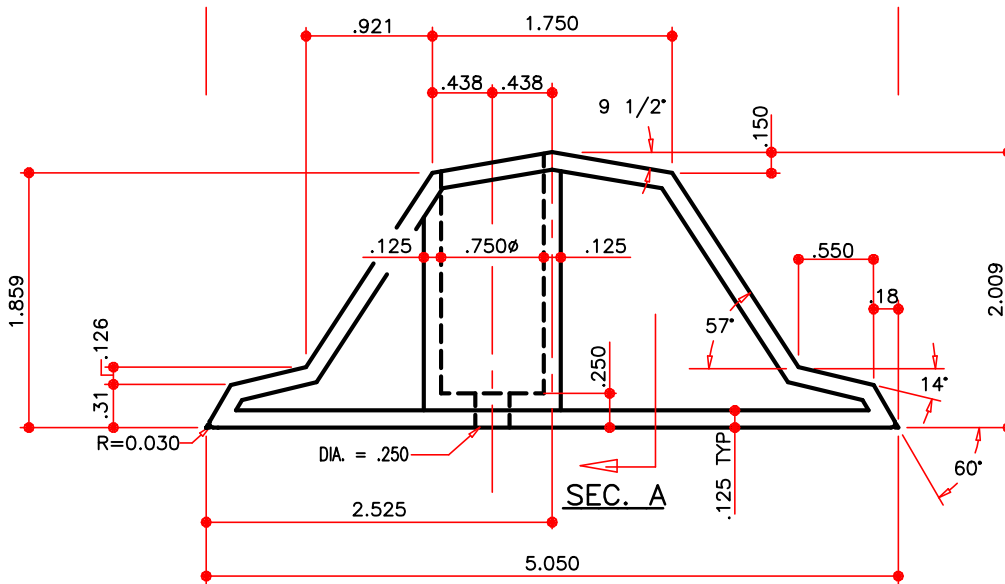
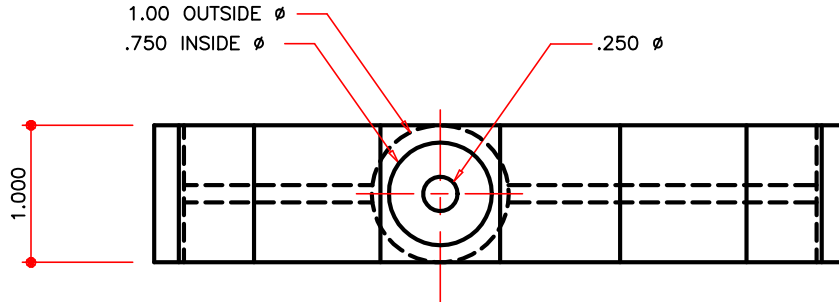


# CFR PANEL VOID CLOSURE

## H2630

MASTER PART NUMBER	VINTAGE	AVAILABLE COLORS	THICKNESS	YIELD	BLANK WIDTH	BLANK LENGTH	TOTAL WEIGHT LBS	LRC
H2630	A	NP	NA	NA	NA	NA	.08	W 13D S 13C T 13C U 13C



MATERIAL: POLYPROPYLENE – U.V. STABILIZED, GEN. PURPOSE  
 DENSITY: 0.9# PER FT. (3)  
 WEIGHT: .07# ±  
 TOLERANCE: .015 (EXCEPT FOR MATERIAL SHRINKAGE AT PERIMETER OF WEB ON FLANGE FACE)

