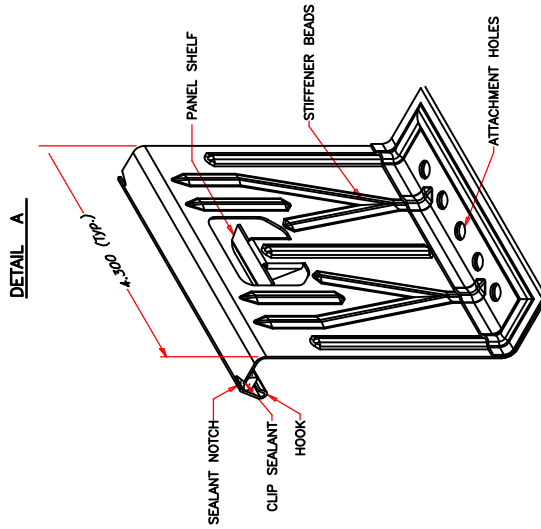
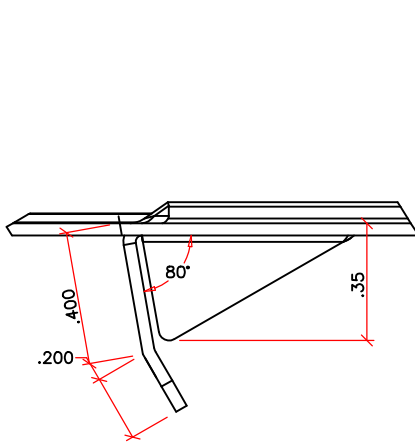


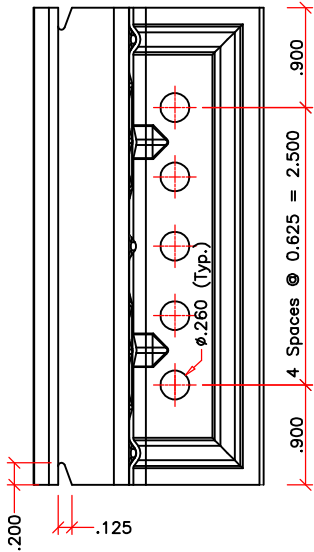
CFR FIXED PANEL CLIP – SHORT/TALL

H2500/H2510

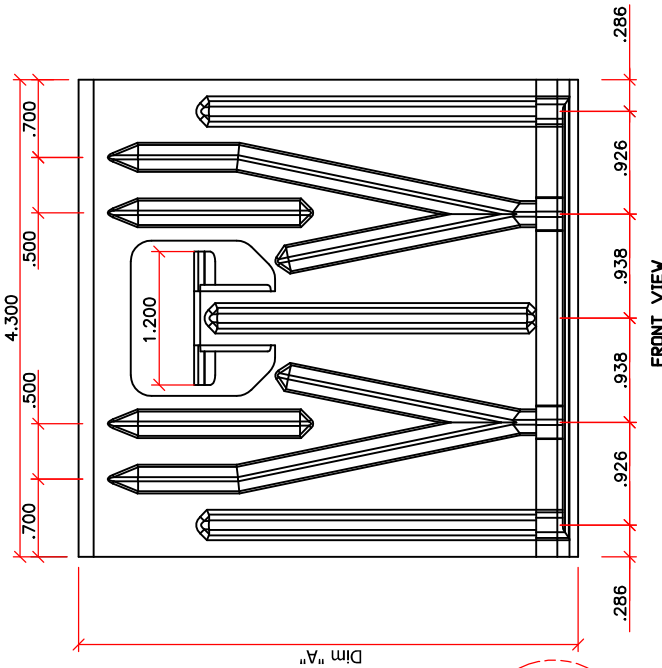
MASTER PART NUMBER	VINTAGE	AVAILABLE COLORS	THICKNESS	YIELD	BLANK WIDTH	BLANK LENGTH	TOTAL WEIGHT LBS	LRC
								W 13D S 13C T 13C U 13C
H2500 H2510	A	NP	.037	50 KSI	NA	NA	.33 .38	



General Notes:
 1. Material - 0.037 Thick, 50 KSI (min. Yield), G90 Galvanized Steel.
 2. All Angles Are 90° ±2° Unless Noted.
 3. All Inside Radii Are 0.037" Unless Noted.

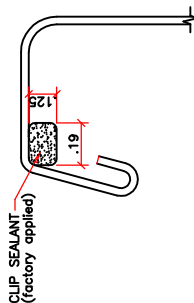


TOP VIEW



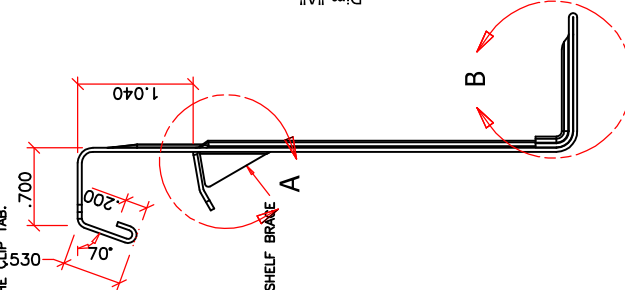
FRONT VIEW

PART NO.	H2500	H2510
STAND-OFF	1/2"	1 1/2"
DIM. "A"	3.50"	4.50"

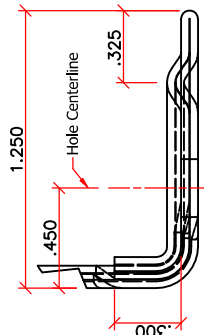


CLIP SEALANT DETAIL

SEALANT NOTES:
 1. APPLY 3/16" CONTINUOUS BEAD OF SEALANT.
 2. SEALANT MUST START AND FINISH ±0.03 FROM THE ENDS OF THE CLIP TAB.



END VIEW



DETAIL B