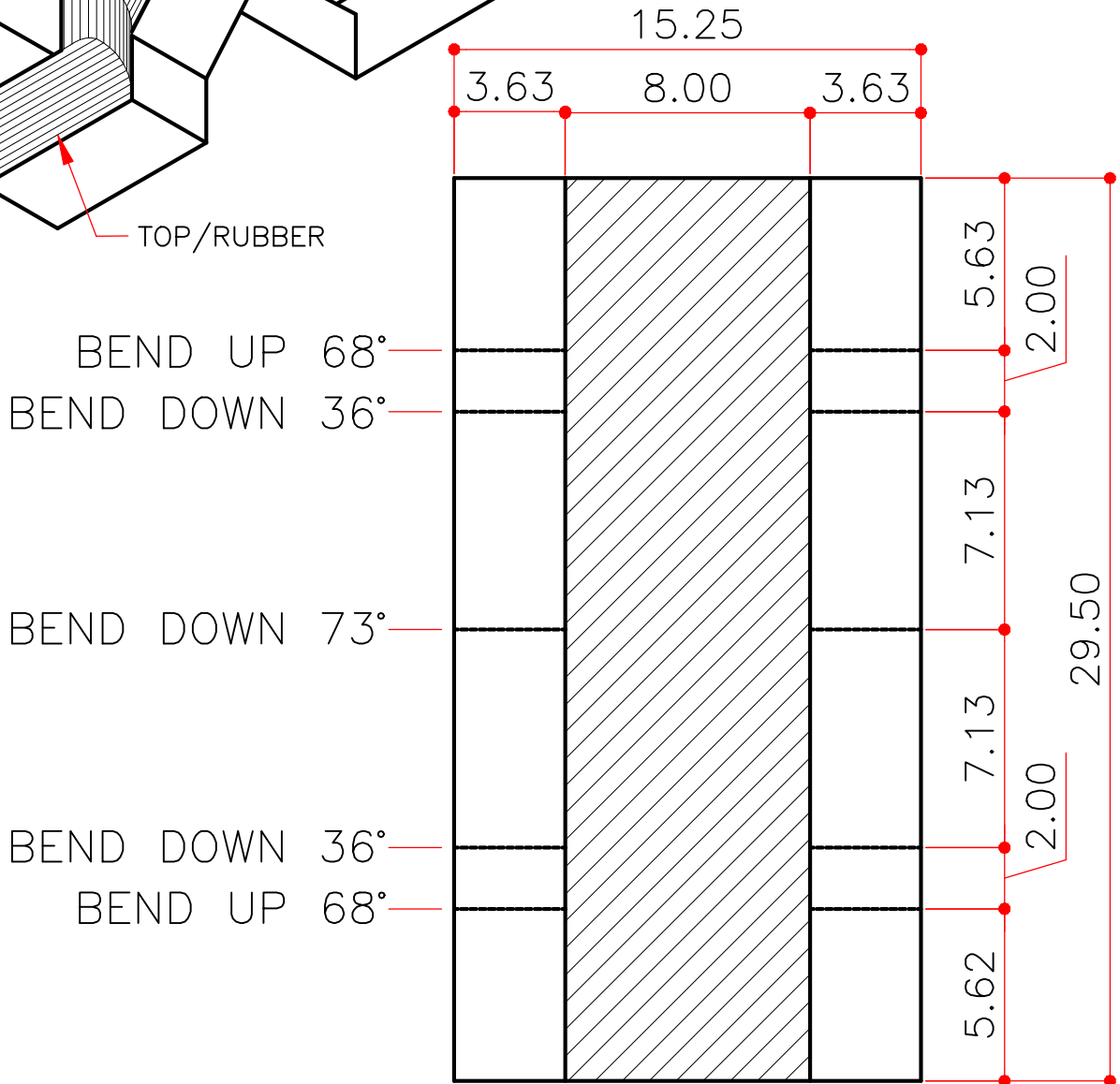
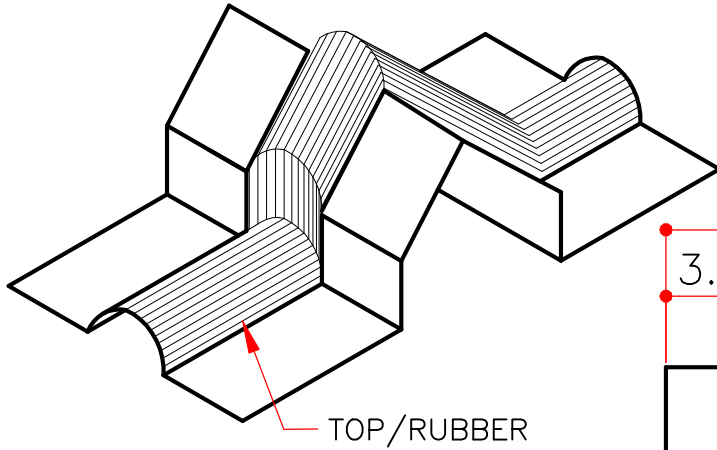


EXPANSION JOINT CAP (RIDGE)

EJR01

MASTER PART NUMBER	VINTAGE	AVAILABLE COLORS	THICKNESS	YIELD	BLANK WIDTH	BLANK LENGTH	TOTAL WEIGHT LBS	LRC
EJR01	E	NP	NA	NA	15.25	29.5	2.26	W 05C S 05C T 05C U 05C



SHOP NOTE: CUT LENGTH FROM PART NUMBER H3551 THEN FORM. FOAM STRIPPING SHOULD BE ON THE INSIDE. BREAK TRIM WITH RUBBER MEMBRANE TOWARDS THE OUTSIDE.