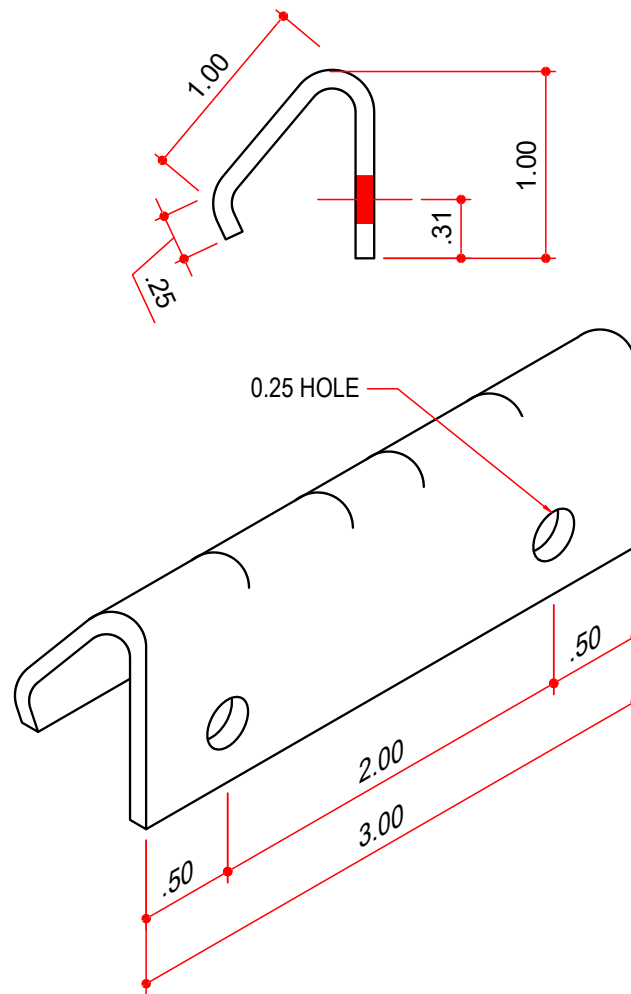


MASTER PART MARK	VIN	AVAILABLE THICKNESS	YIELD MIN.	BLANK LENGTH	BLANK WIDTH	WEIGHT (LBS)
SSRSC	A	0.099	50 KSI	3.00	1.78	0.16



NOTES: BUYOUT

- 1) REINFORCING SEAM CLIP IS USED WITH SSII PANEL TO REINFORCE PANEL SEAM WHEN REQUIRED BY DESIGN.
- 2) PAINTED PARTS ARE POWDER COATED AND REQUIRE PURCHASE REQUEST.

AVAILABLE COLORS

ALL STANDARD SP & PVDF COLORS