

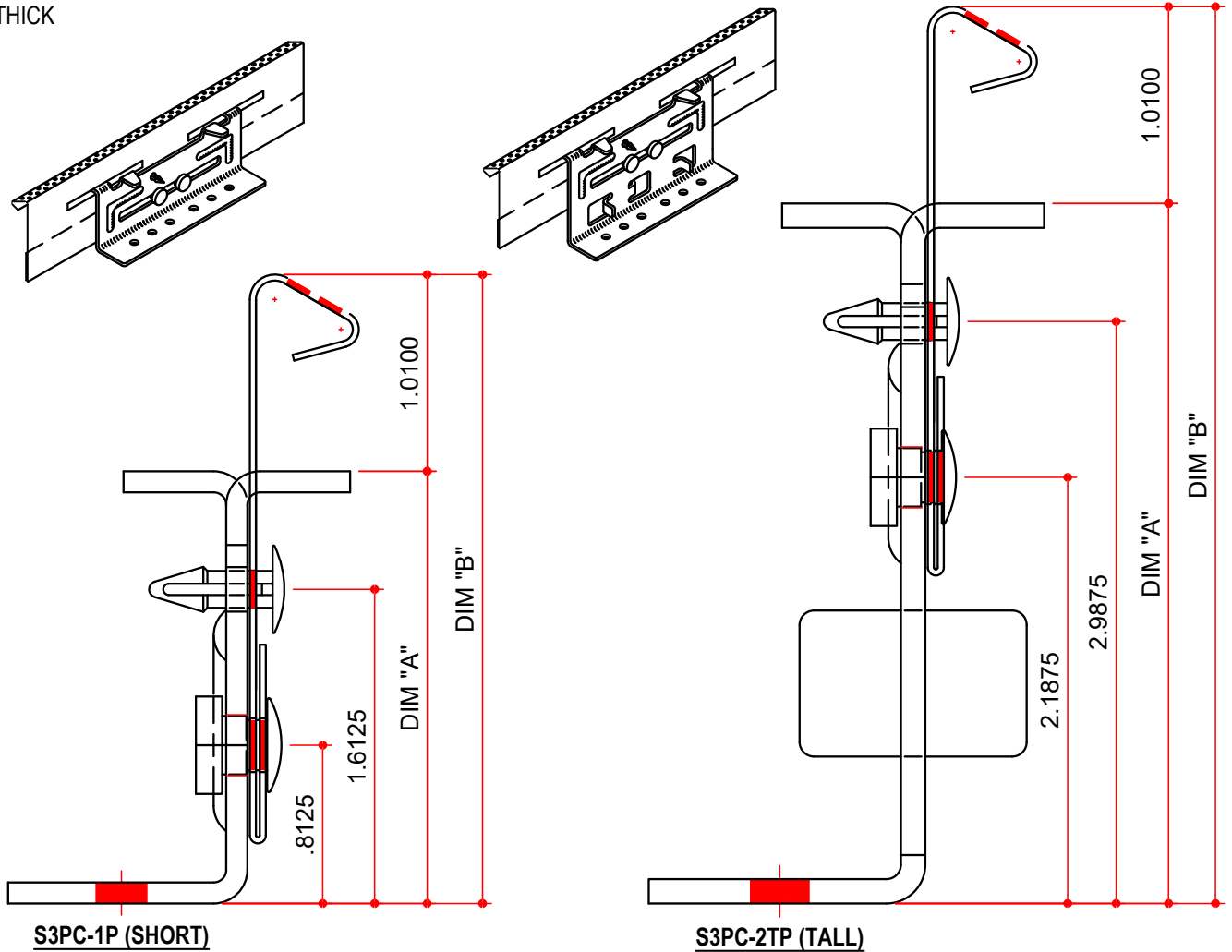
MASTER PART MARK	VIN	AVAILABLE THICKNESS	YIELD MIN.	BLANK LENGTH	BLANK WIDTH	WEIGHT (LBS)
S3PC-1P	B	N/A	50 KSI	N/A	N/A	1.45
S3PC-2TP	B	N/A	50 KSI	N/A	N/A	1.71

**MATERIAL:**

CLIP BASE: 12 GA (0.104 ± 0.005) GALVANIZED STEEL  
ASTM A446 GRADE D 50 KSI MIN

CLIP TAB: AZ55 ALUMINUM-ZINC ALLOY COATED OR ALUMINUM TYPE 2 50 KSI MIN YLD. 0.038 THICK

MK #	CLIP TYPE	STAND OFF	BASE	TAB	DIM "A"	DIM "B"
S3PC-1P	SHORT	1/2"	SHORT	S3PC-_- PERIMETER	2.1875	3.2285
S3PC-2TP	TALL	1 1/2"	TALL	S3PC-_- PERIMETER	3.5625	4.6035



**NOTES: BUYOUT**

- 1) CLIP TAB TO BASE ASSEMBLY IS A SLIDING FIT.
- 2) REFERENCE THE BASE AND TAB DRAWINGS FOR ADDITIONAL INFORMATION.

**AVAILABLE COLORS**

NP