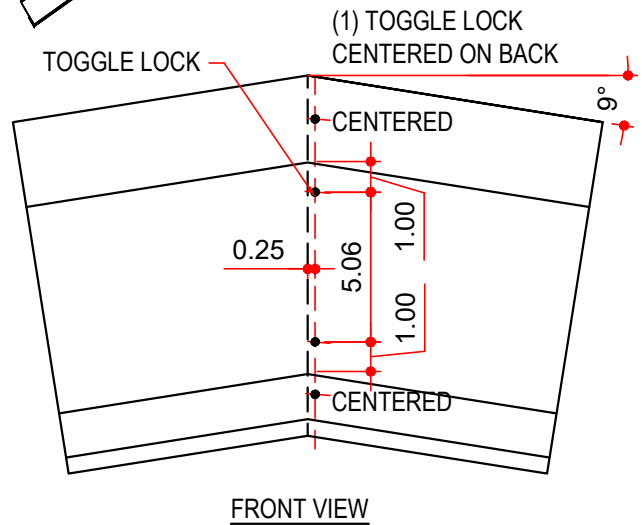
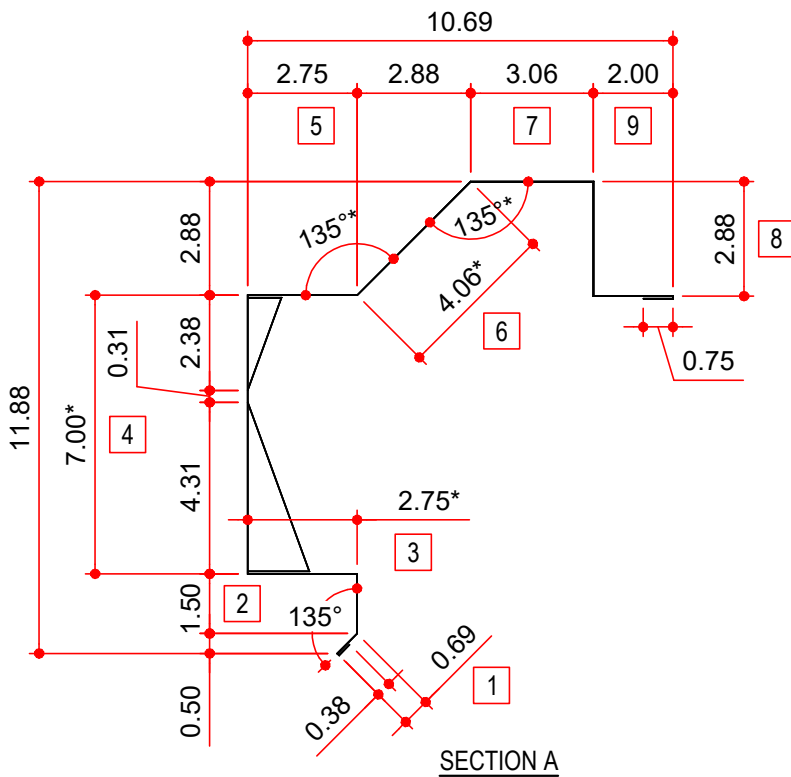
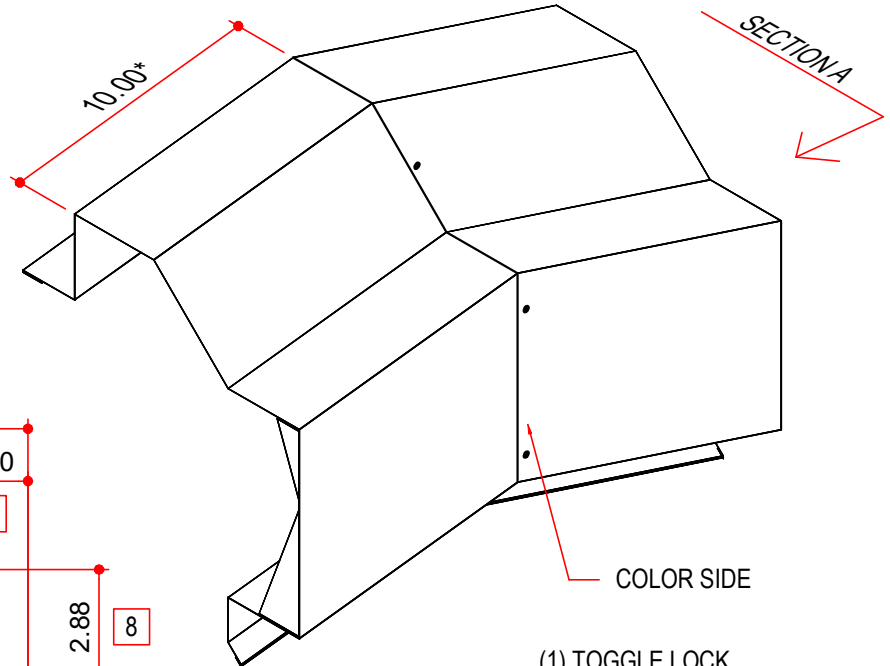


MASTER PART MARK	VIN	AVAILABLE THICKNESS	YIELD MIN.	BLANK LENGTH	BLANK WIDTH	WEIGHT (LBS)
MPBC02	A	26 GA	33 KSI	23.06	27.81	3.00

NO SCRATCHES ON OUTSIDE OF PART



**NOTES: BUYOUT**

- 1) MPBC02 WORKS FOR SLOPES FROM 1 1/2:12 TO 2 1/2:12
- 2) ALL BENDS ARE 90° UNO
- 3) \* INDICATES HOLD DIMENSION
- 4) ANGLE TOLERANCE ±2°
- 5) DIMENSIONAL TOLERANCE ±0.06
- 6) PART IS PRODUCED BY OUTSIDE SUPPLIER. DRAWING IS FOR REFERENCE ONLY

**AVAILABLE COLORS**

PW