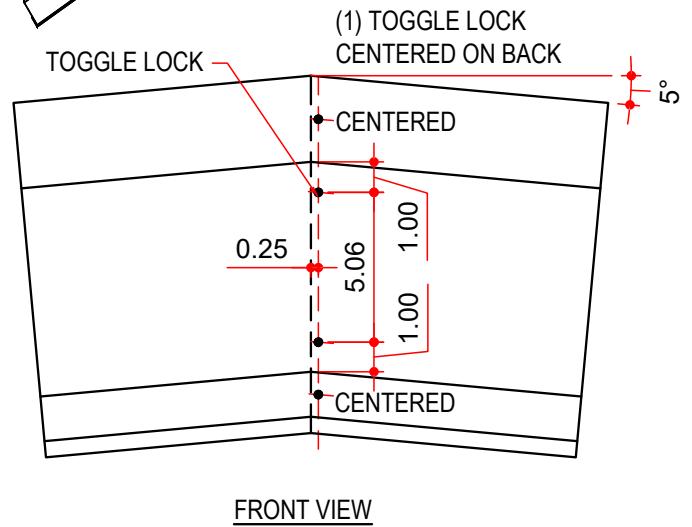
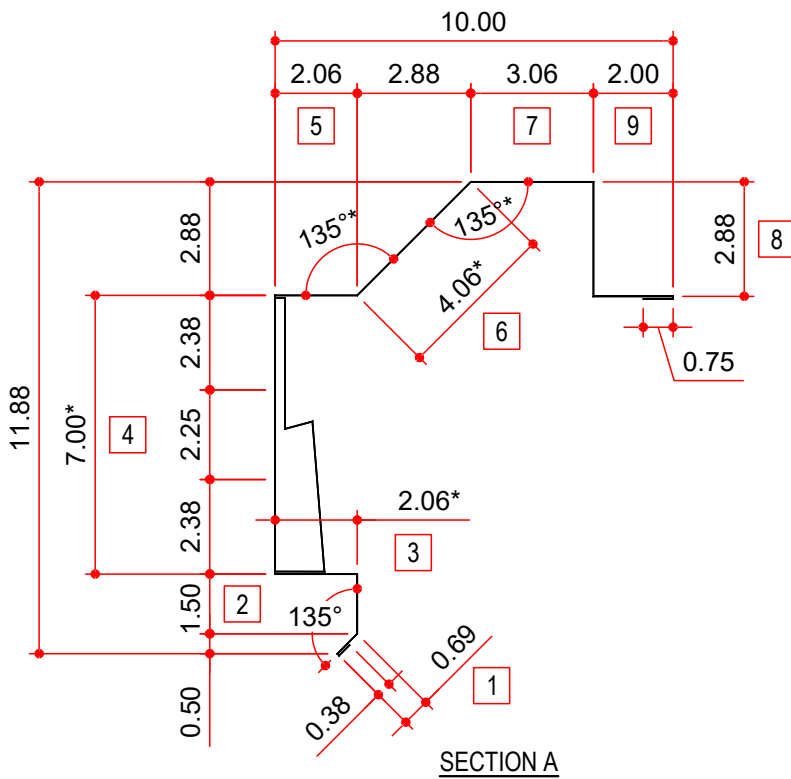
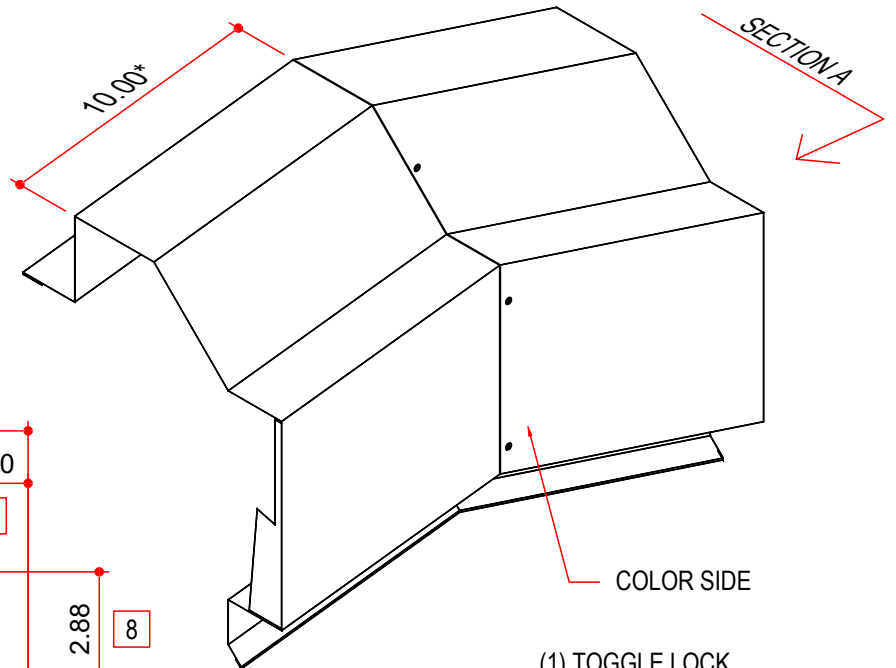


| MASTER PART MARK | VIN | AVAILABLE THICKNESS | YIELD MIN. | BLANK LENGTH | BLANK WIDTH | WEIGHT (LBS) |
|------------------|-----|---------------------|------------|--------------|-------------|--------------|
| MPBA01 | A | 26 GA | 33 KSI | 22.50 | 26.44 | 3.00 |

NO SCRATCHES ON OUTSIDE OF PART



NOTES: BUYOUT

- 1) MPBA01 WORKS FOR SLOPES FROM 3/4:12 TO 1 1/2:12
- 2) ALL BENDS ARE 90° UNO
- 3) * INDICATES HOLD DIMENSION
- 4) ANGLE TOLERANCE ±2°
- 5) DIMENSIONAL TOLERANCE ±0.06
- 6) PART IS PRODUCED BY OUTSIDE SUPPLIER. DRAWING IS FOR REFERENCE ONLY

AVAILABLE COLORS

PW