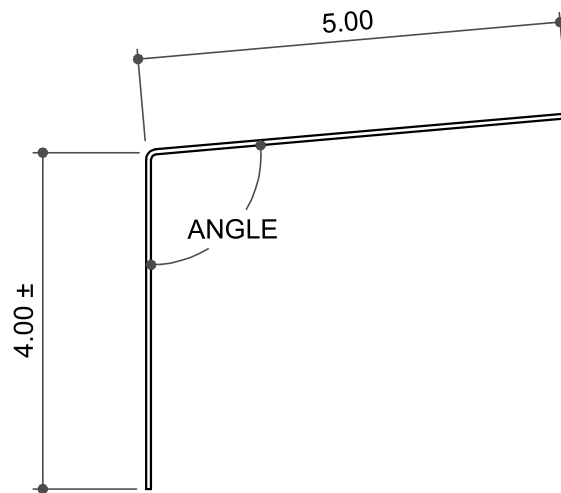


MASTER PART MARK	VIN	AVAILABLE THICKNESS	YIELD MIN.	BLANK LENGTH	BLANK WIDTH	WEIGHT (LBS)
MAE01	B	.060	50 KSI	120.00	9.00 / 8.70	18.36 / 17.75
MAE02	B	.060	50 KSI	120.00	9.00 / 8.70	18.36 / 17.75
MAE03	B	.060	50 KSI	120.00	9.00 / 8.70	18.36 / 17.75
MAE04	B	.060	50 KSI	120.00	9.00 / 8.70	18.36 / 17.75
MAE05	A	.060	50 KSI	120.00	9.00 / 8.70	18.36 / 17.75
MAE06	A	.060	50 KSI	120.00	9.00 / 8.70	18.36 / 17.75



PART	ROOF SLOPE	ANGLE
MAE01	1:12	95°
MAE02	2:12	100°
MAE03	3:12	104°
MAE04	4:12	108°
MAE05	5:12	113°
MAE06	6:12	117°

NOTES:

1)

AVAILABLE COLORS

GZ