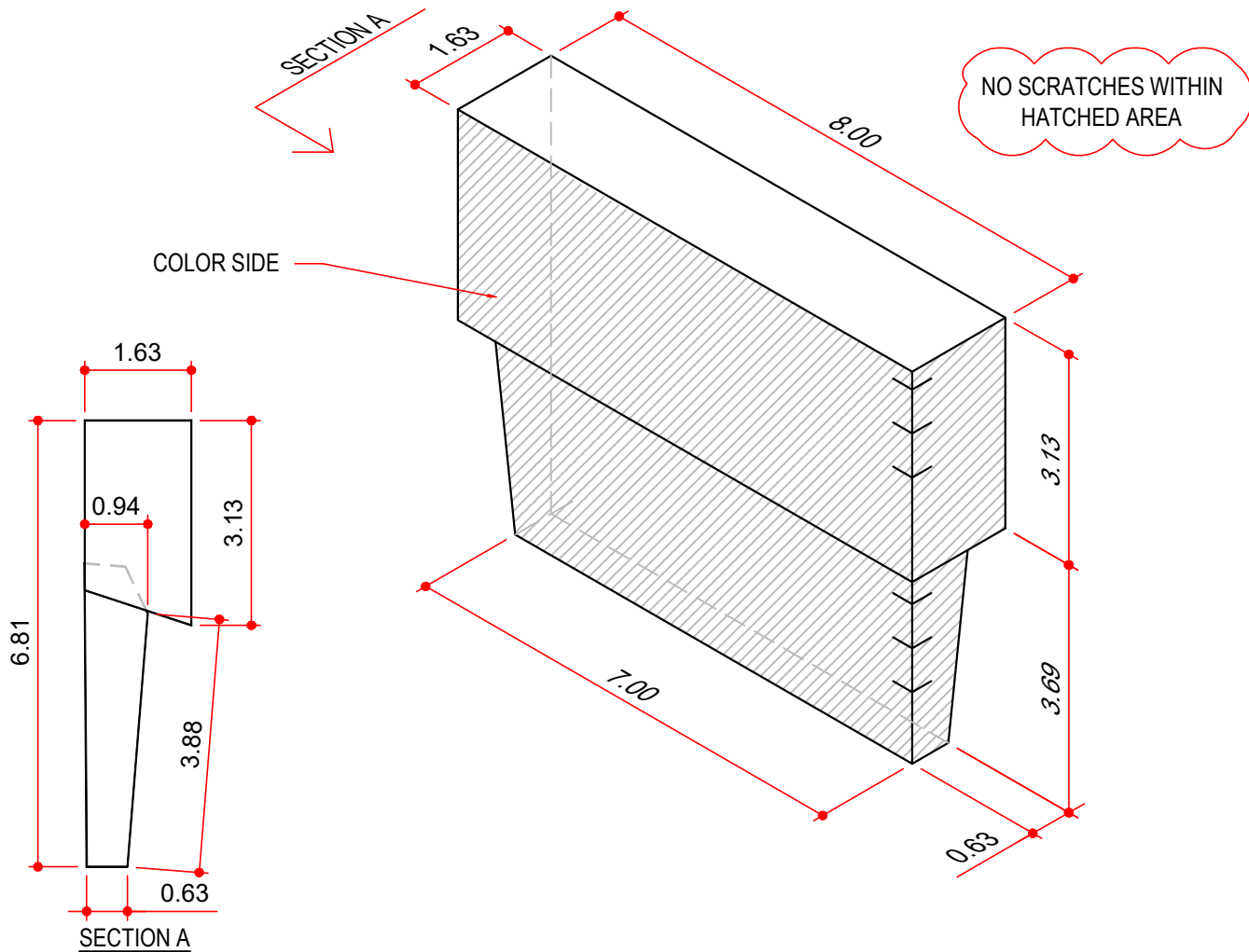


MASTER PART MARK	VIN	AVAILABLE THICKNESS	YIELD MIN.	BLANK LENGTH	BLANK WIDTH	WEIGHT (LBS)
H4000AL	A	26 GA	33 KSI	11.25	10.00	0.61



**NOTES: BUYOUT**

- 1) ALL BENDS ARE 90° UNO
- 2) PART IS PRODUCED BY OUTSIDE SUPPLIER. DRAWING IS FOR REFERENCE ONLY

**AVAILABLE COLORS**

ALL STANDARD SMP & PVDF COLORS