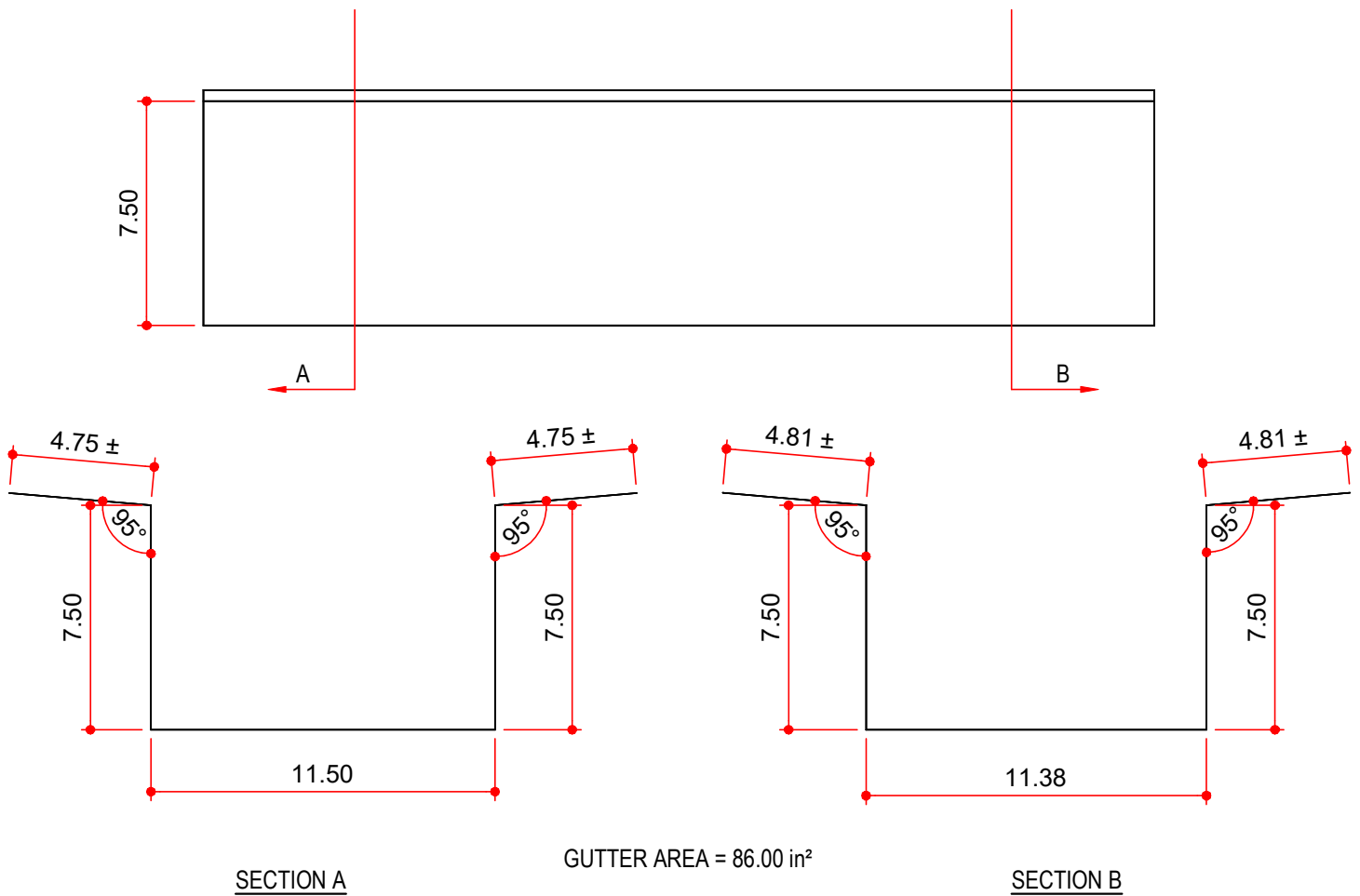


MASTER PART MARK	VIN	AVAILABLE THICKNESS	YIELD MIN.	BLANK LENGTH	BLANK WIDTH	WEIGHT (LBS)
GVU120	A	0.060	33 KSI	120.00	36.00	73.43

ABCIL ONLY

GVU120	A	0.0478	33 KSI	120.00	36.00	58.51
--------	---	--------	--------	--------	-------	-------



<p>NOTES:</p> <p>1) ALL BENDS ARE 90° UNO</p> <p>2) GUTTER IS TAPERED TO ALLOW IT TO NEST WHEN INSTALLED</p>	AVAILABLE COLORS
	GZ