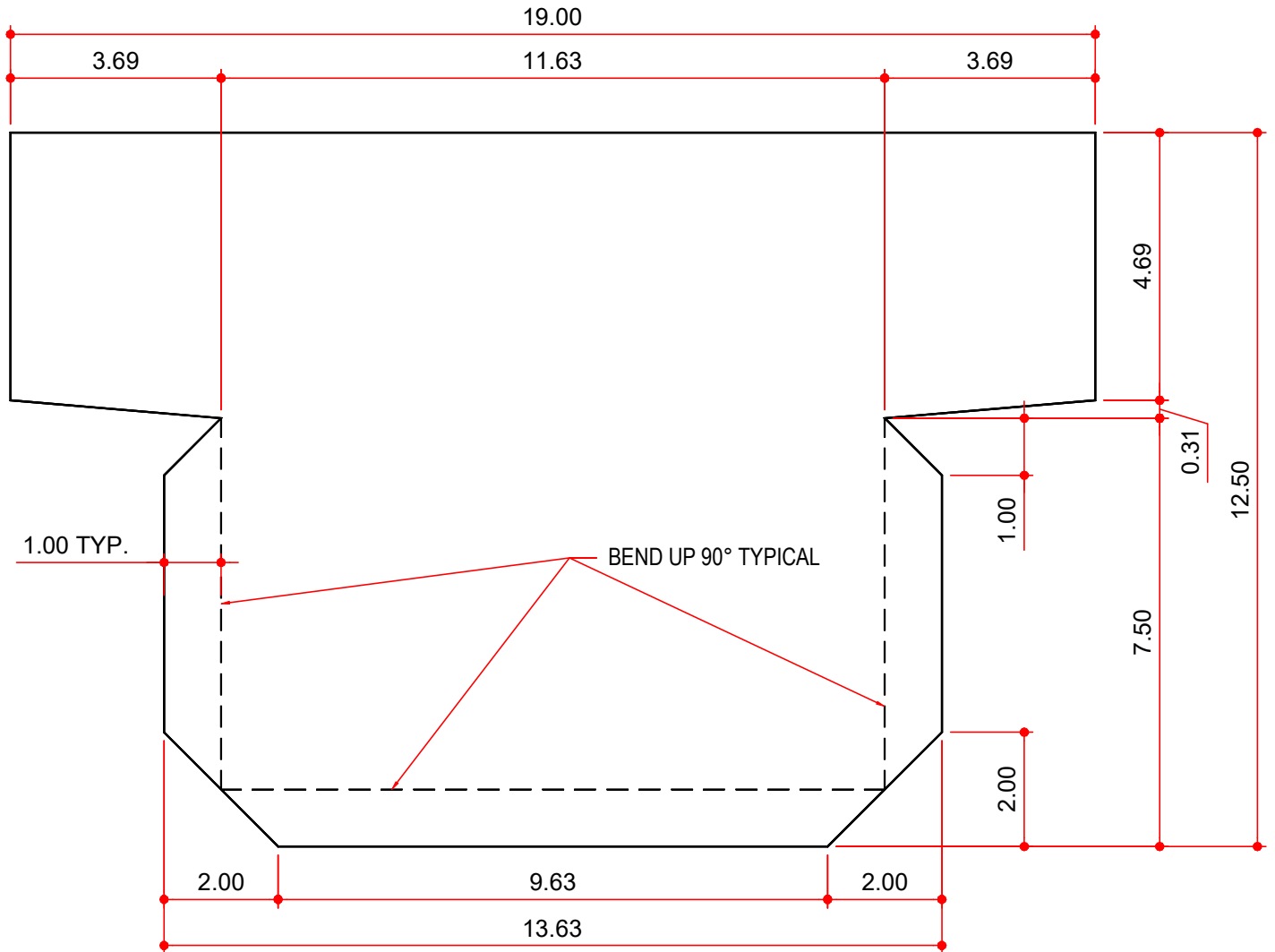


MASTER PART MARK	VIN	AVAILABLE THICKNESS	YIELD MIN.	BLANK LENGTH	BLANK WIDTH	WEIGHT (LBS)
GVCU	B	24 GA	33 KSI	19.00	12.50	1.61



NOTES:

1) ALL BENDS ARE 90° UNO

AVAILABLE COLORS

GM