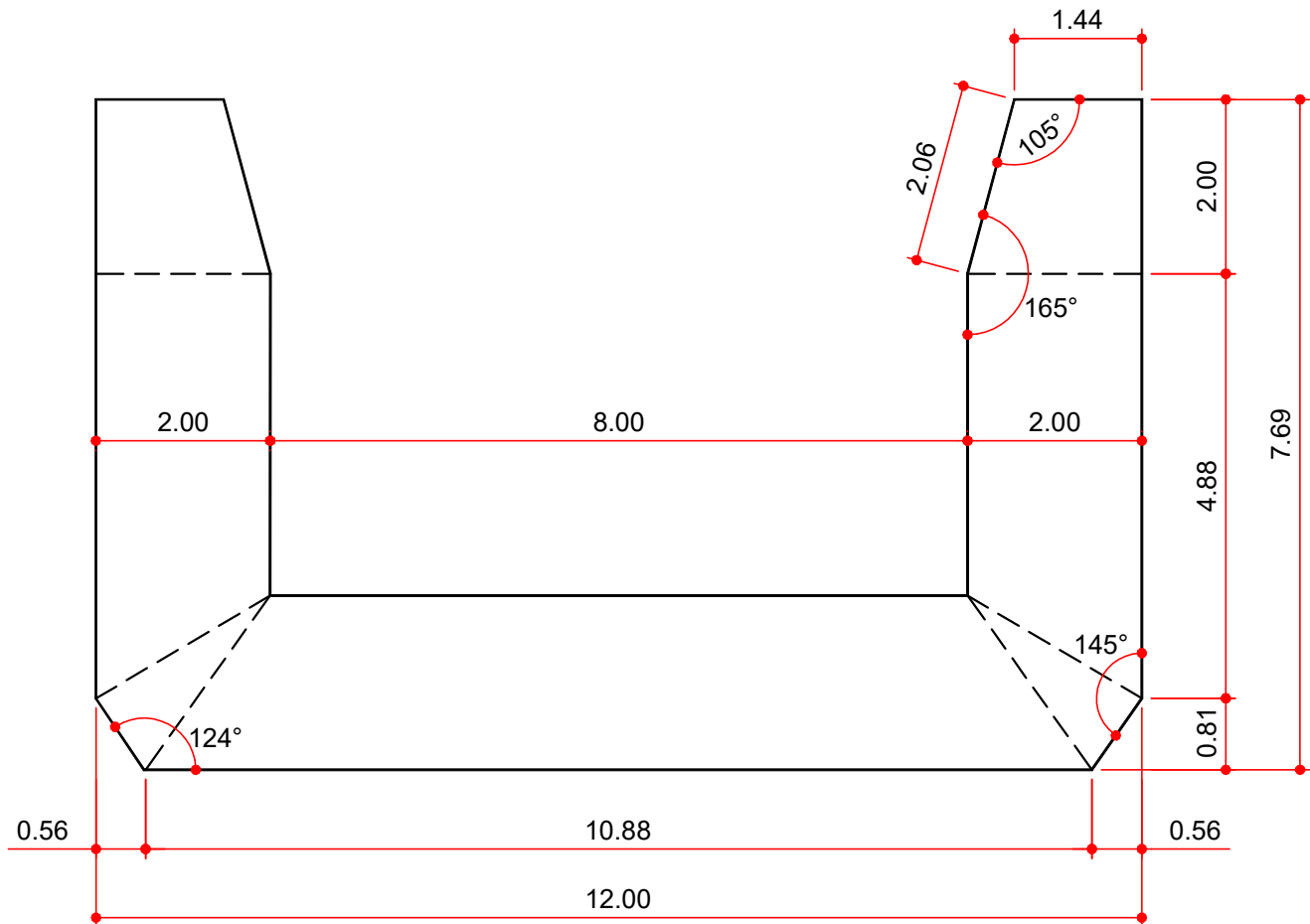


MASTER PART MARK	VIN	AVAILABLE THICKNESS	YIELD MIN.	BLANK LENGTH	BLANK WIDTH	WEIGHT (LBS)
DSPHOLE	A	24 OR 26 GA	33 KSI	12.00	7.69	0.51



NOTES:

1) N/A

AVAILABLE COLORS

ALL STANDARD SMP
& PVDF COLORS