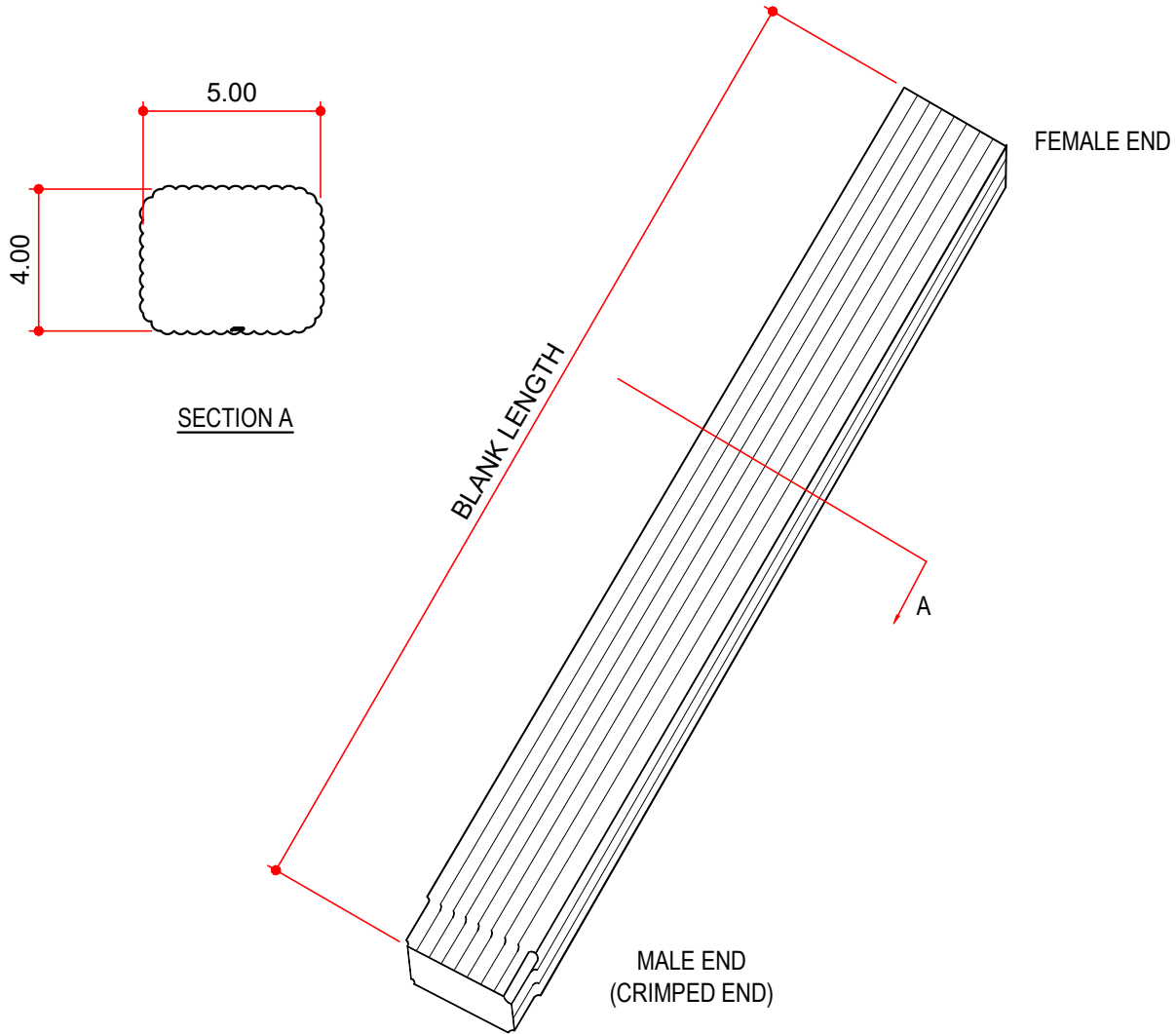


MASTER PART MARK	VIN	AVAILABLE THICKNESS	YIELD MIN.	BLANK LENGTH	BLANK WIDTH	WEIGHT (LBS)
DSC120	A	26 GA	33 KSI	120.00	17.563	11.64



NOTES:

1) GM COLOR OPTION NOT AVAILABLE AT ALL MFG LOCATIONS, CHECK WITH PURCHASING / PRODUCTION.

AVAILABLE COLORS

ALL STANDARD SMP & PVDF COLORS