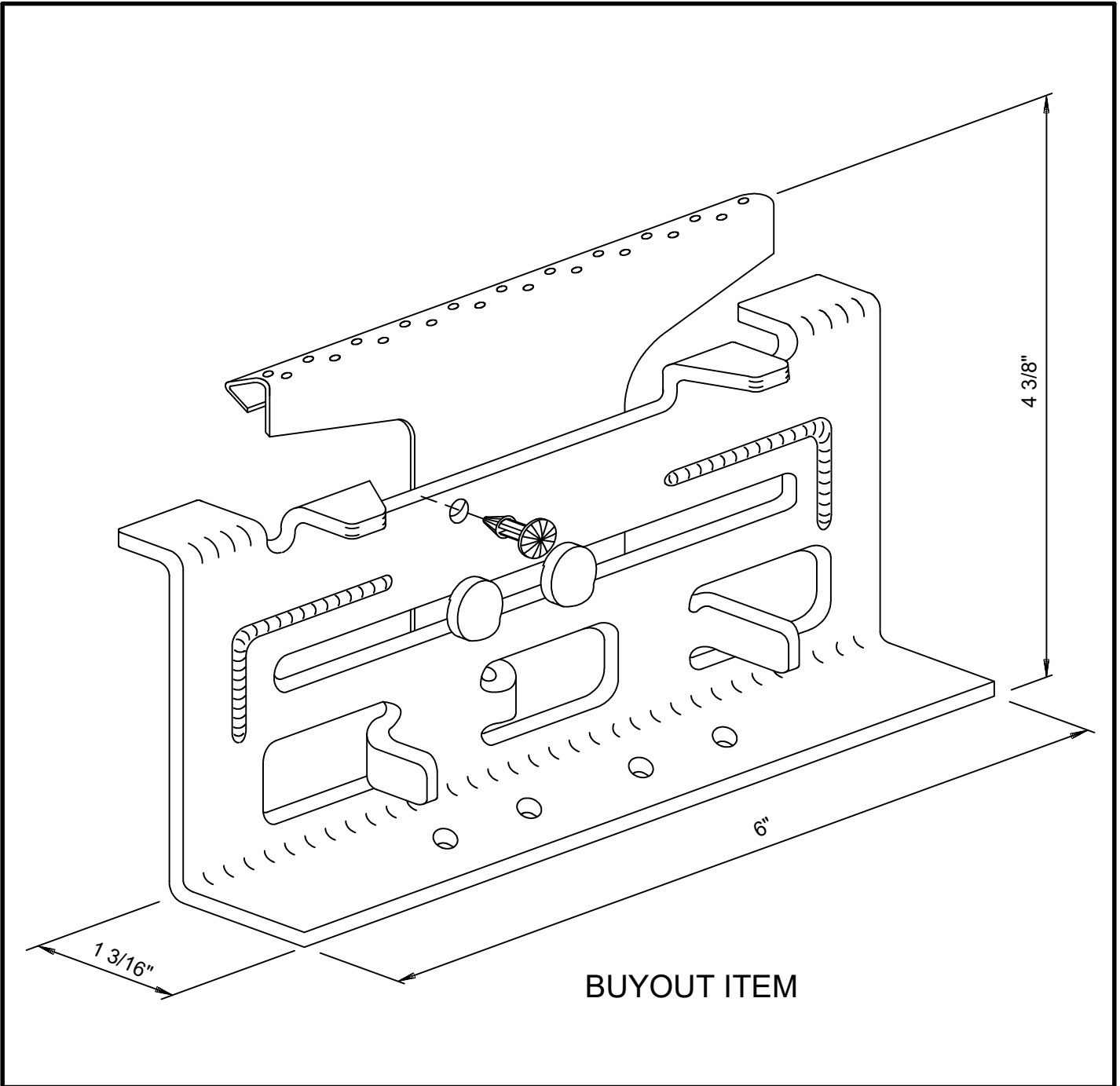


SS360 HIGH CLIP

SSC02

MASTER PART NUMBER	VINTAGE	AVAILABLE COLORS	THICKNESS	YIELD	BLANK WIDTH	BLANK LENGTH	TOTAL WEIGHT LBS	LRC
SSC02	A	GZ					0.84	



SUB-UNIT PART NUMBERS	AVAILABLE COLORS	THICKNESS	YIELD	BLANK WIDTH	BLANK LENGTH	WEIGHT LBS

NOTES: