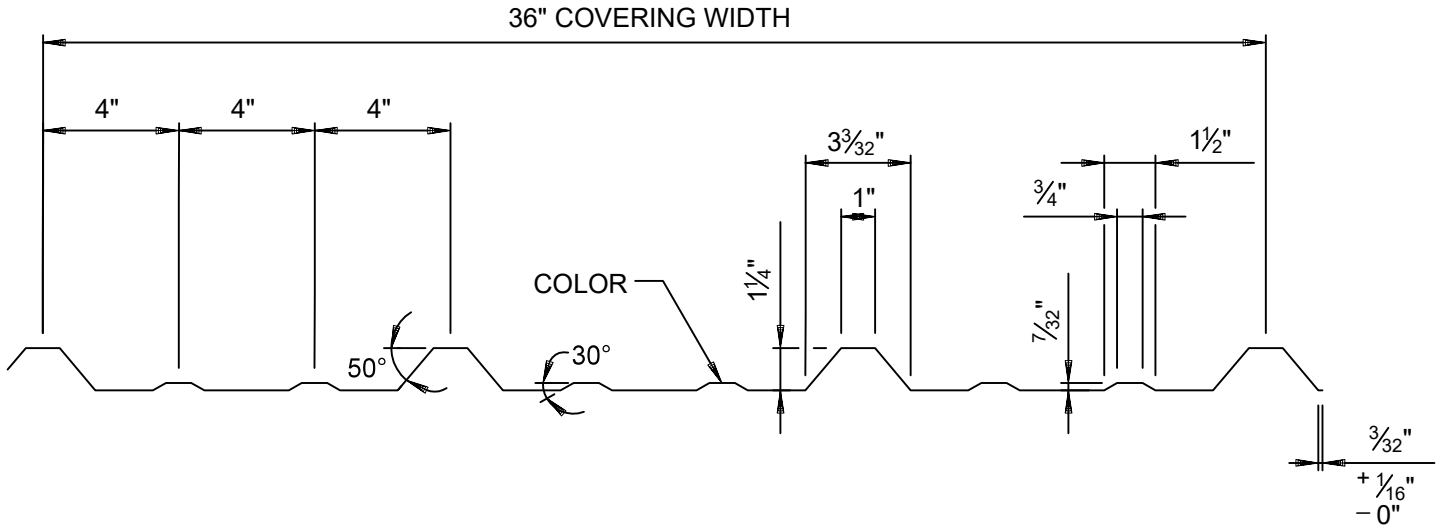


FABRICATION MANUAL

SHIP PC-MK:

SECTION: 18

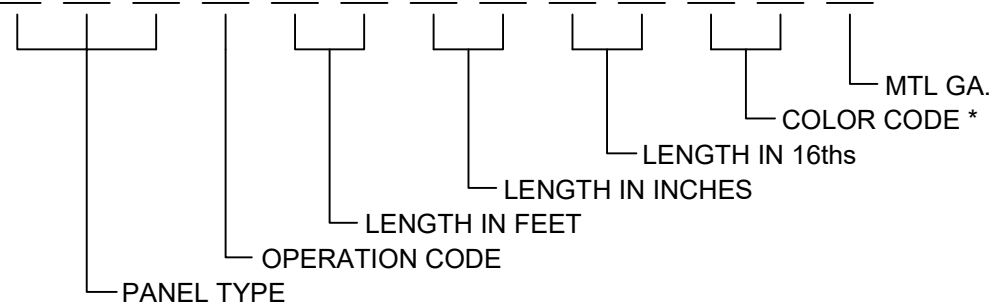


FL. PRODUCT APPROVAL
4837.1 (WALL PNL.)

FL. PRODUCT APPROVAL
4838.2 (ROOF PNL.)

STOCK PART NUMBER DESCRIPTION

K R 2 A

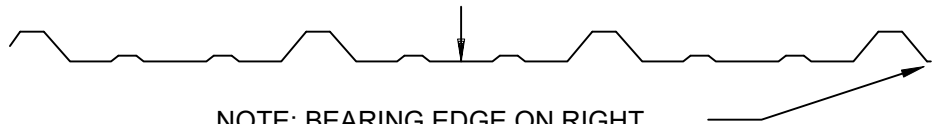


* SEE PANEL SECTION
COVER PAGE FOR
COLOR CODES

GAGE	CODE
26 GA.	6
24 GA.	4
*22 GA.	2

*SPECIAL ORDER

END VIEW



1) MAX. LENGTH = 41'0"

2) COIL WIDTH = 42 3/4"

DESC.OF DWG: KIRBY-RIB II PANEL

PREPARED BY: BKC

DATE: 2-18-15



KR2