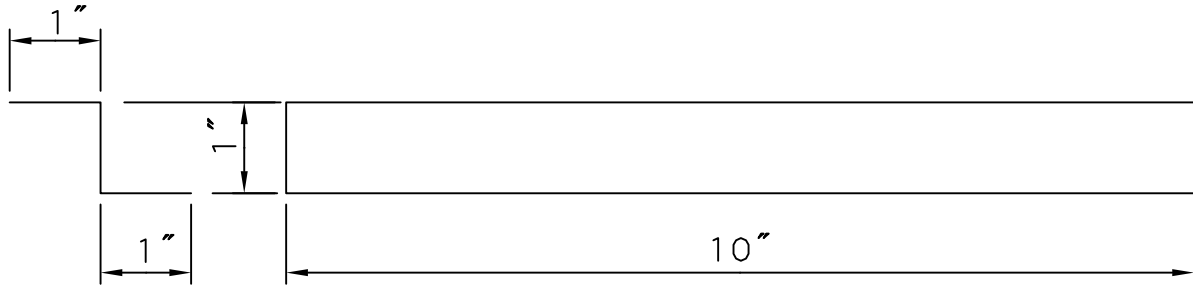


# FABRICATION MANUAL

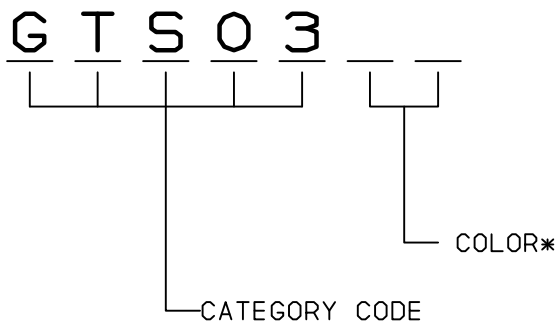
SHIP PC-MK:

KL-2000

SECTION: **20**



## GENERATED PART NUMBER DESCRIPTION



\* SEE WAREHOUSE SECTION  
COVER PAGE FOR  
COLOR CODES

MATERIAL = 24 GA.

BUY OUT - STOCK ITEM

LENGTH = 10".

DESC. OF DWG:

**GUTTER STRAP**

PREPARED BY: S. BIRDWELL

CHECKED BY: *RE*

DATE: 15-MAY-03



# G T S O 3

COMPUTER SERVICES NUMBER: **FM\_GTS03**