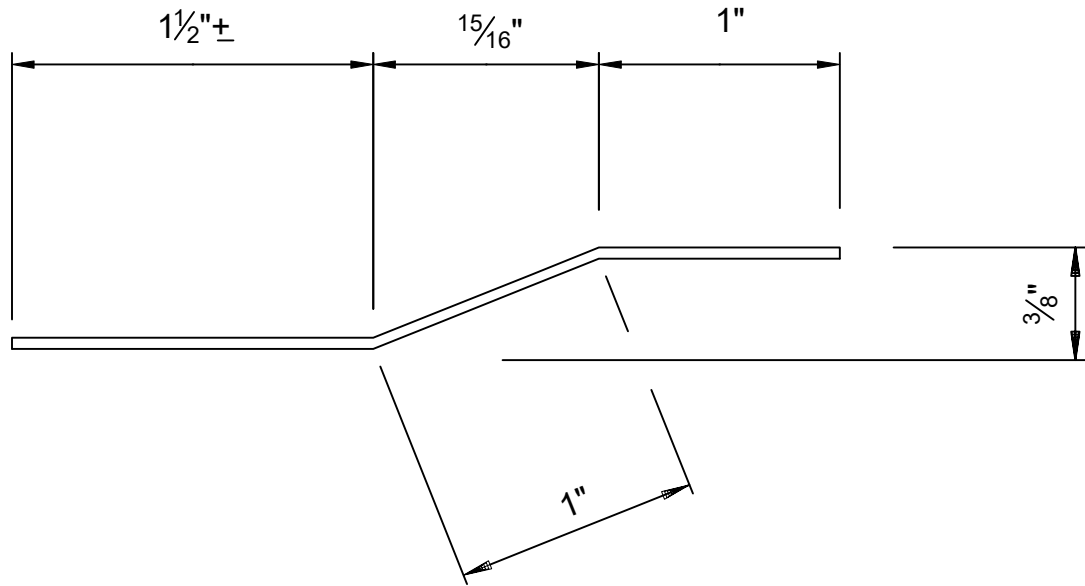


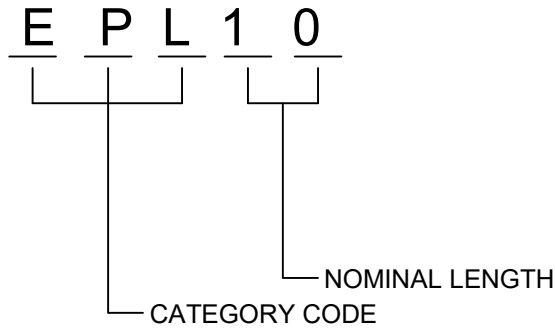
FABRICATION MANUAL

SHIP PC-MK:

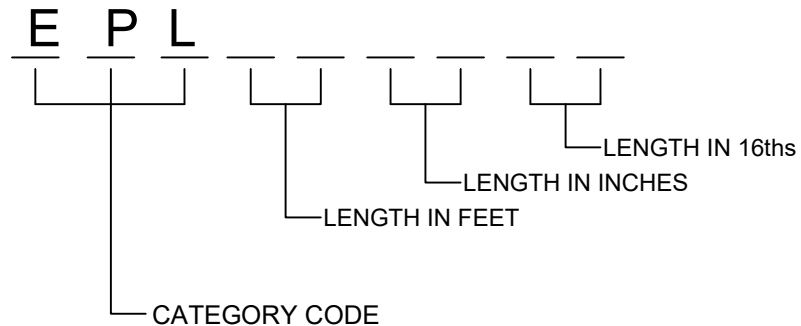
SECTION: 12



STOCK PART NUMBER DESCRIPTION



GENERATED PART NUMBER DESCRIPTION



DESC.OF DWG: LOW EAVE PLATE

BLANK WIDTH = $3\frac{1}{2}''$ MATERIAL = 0.075 WT. = 0.893# PER FT. LENGTH = SEE SHIPPER

PREPARED BY: BKC

CHECKED BY:

DATE: 1-1-95



EPL