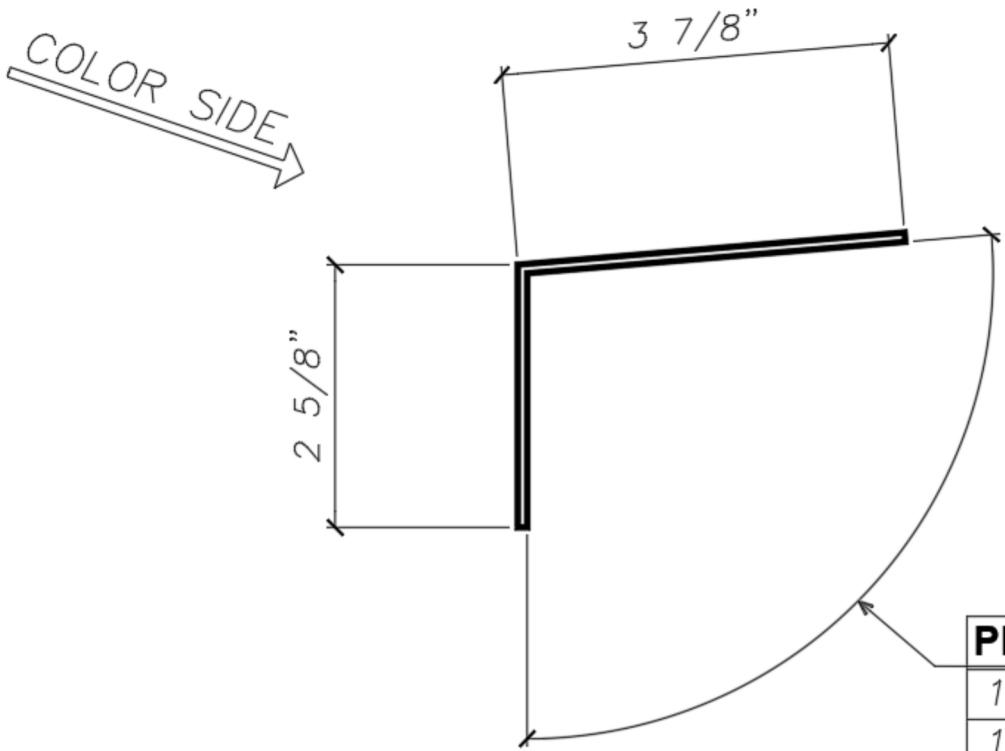


JOB NAME:		JOB#:	
SHOP SPEC. CONDITIONS		BY	DATE



PITCH	ANGLE
1/2:12	92°
1:12	95°
2:12	100°
3:12	104°
4:12	108°
5:12	112°
6:12	116°

MARK #	BLANK WIDTH	BLANK LENGTH	THICKNESS	YIELD	COLOR	QTY
TR-49	6.5"	12'-6"	26 GA	50 KSI		



Eave Closure Trim (w/ 'R' panel wall/roof or similar)			
DATE ISSUED	2003-02-21	REV. #	DATE REVISED
DRAWN BY	J.O.	4	2021-02-24
CHECKED BY	MDO		

[BACK TO TOP](#)