



STEEL BUILDINGS

CUSTOMER

CBC JOB NO. T-1

J

DESIGNER

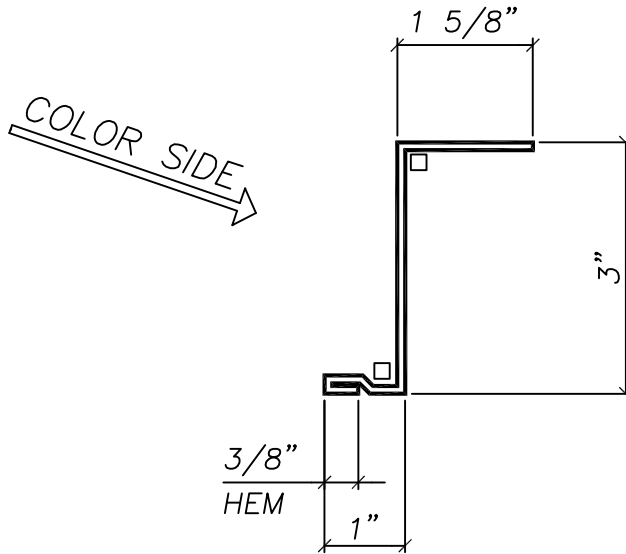
DRAWN

SHOP SPCL. CONDITIONS

DATE

DATE

⚠ Converted to ACAD Drawing J.O. 2-21-03



**STANDING SEAM SS24 & MS24
ROOF TO WALL TRIM SPACER**

BLANK WIDTH: 6"

MARK#	LENGTH	QTY.
TR-48		