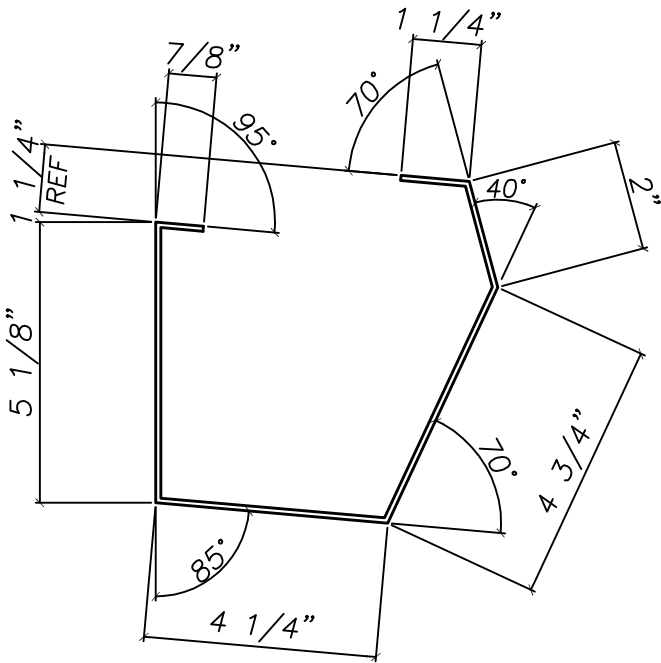




STEEL BUILDINGS

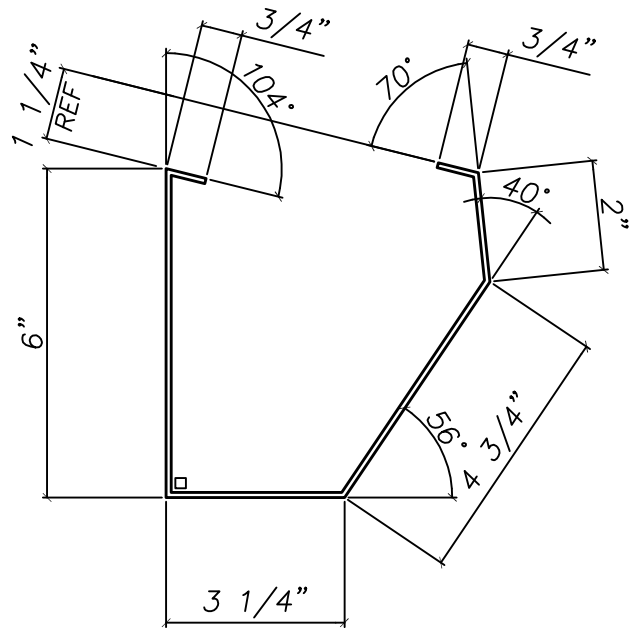
1700 E. Louise Avenue • Lathrop, CA 95330
 Tel: (209) 983-0910 • Fax: (209) 858-2354

Revision #4: 9/27/2013 DJ



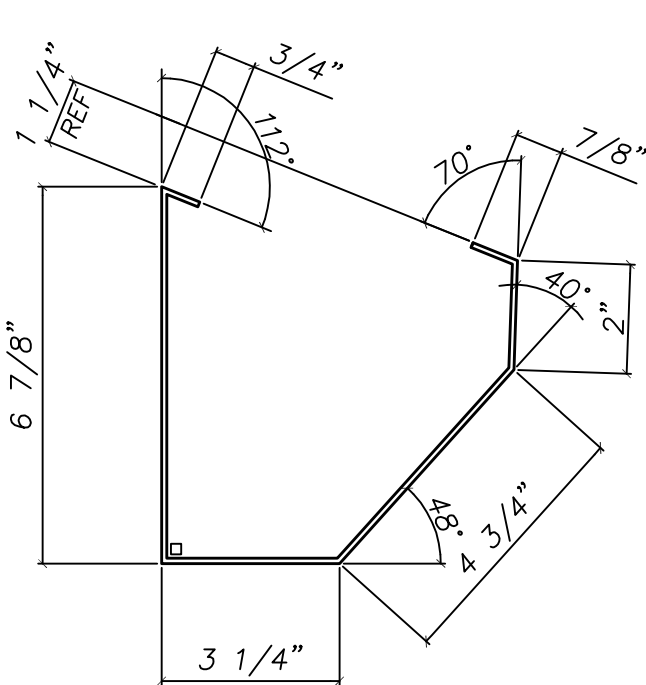
EAVE GUTTER (1:12)

BLANK WIDTH: 1'-6 1/4"



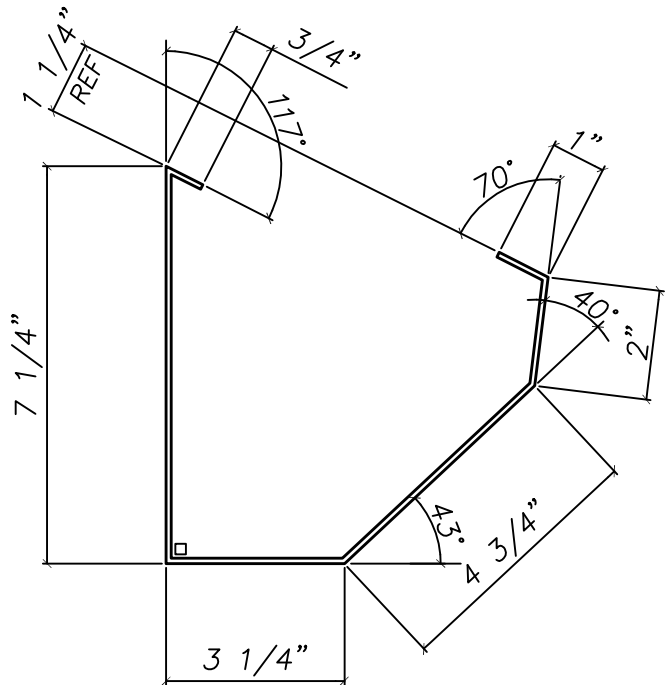
EAVE GUTTER (3:12)

BLANK WIDTH: 1'-5 1/2"



EAVE GUTTER (5:12)

BLANK WIDTH: 1'-6 1/2"



EAVE GUTTER (6:12)

BLANK WIDTH: 1'-7"

MARK#	LENGTH	QTY.
TR-42		