



STEEL BUILDINGS

CUSTOMER

CBC JOB NO.

DESIGNER

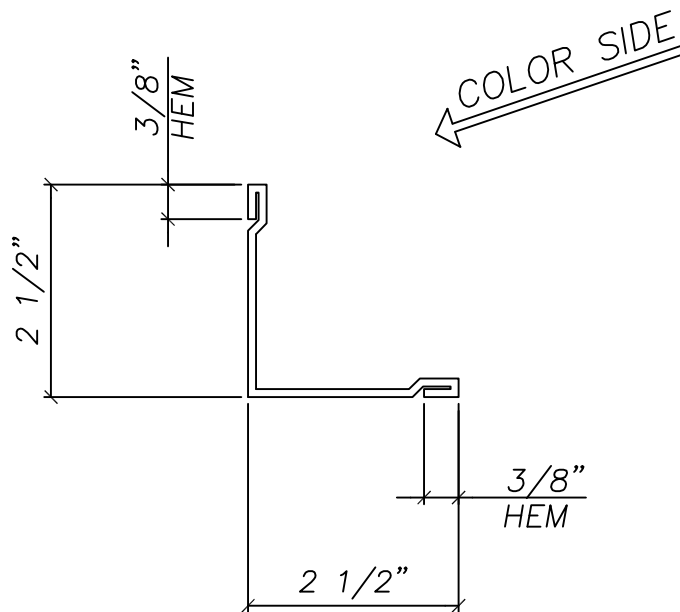
DRAWN

DATE

DATE

SHOP SPCL. CONDITIONS

⚠ *Converted to ACAD Drawing J.O. 2-21-03*



"A" PANEL INSIDE CLOSURE

BLANK WIDTH: 5 3/4"

MARK#	LENGTH	QTY.
TR-32		