



STEEL BUILDINGS

CUSTOMER

CBC JOB NO.

T-1

DESIGNER

J

DRAWN

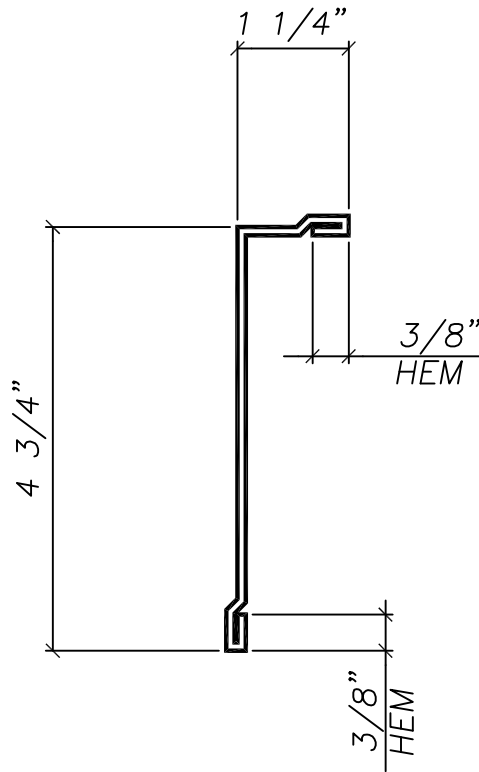
SHOP SPCL. CONDITIONS

DATE

DATE

⚠ *Converted to ACAD Drawing J.O. 2-21-03*

COLOR SIDE →



PARTITION CAP TRIM

BLANK WIDTH: 6 3/4''

MARK#	LENGTH	QTY.
TR-31		