



**STEEL BUILDINGS**

CUSTOMER

CBC JOB NO.

**J**

DESIGNER

DRAWN

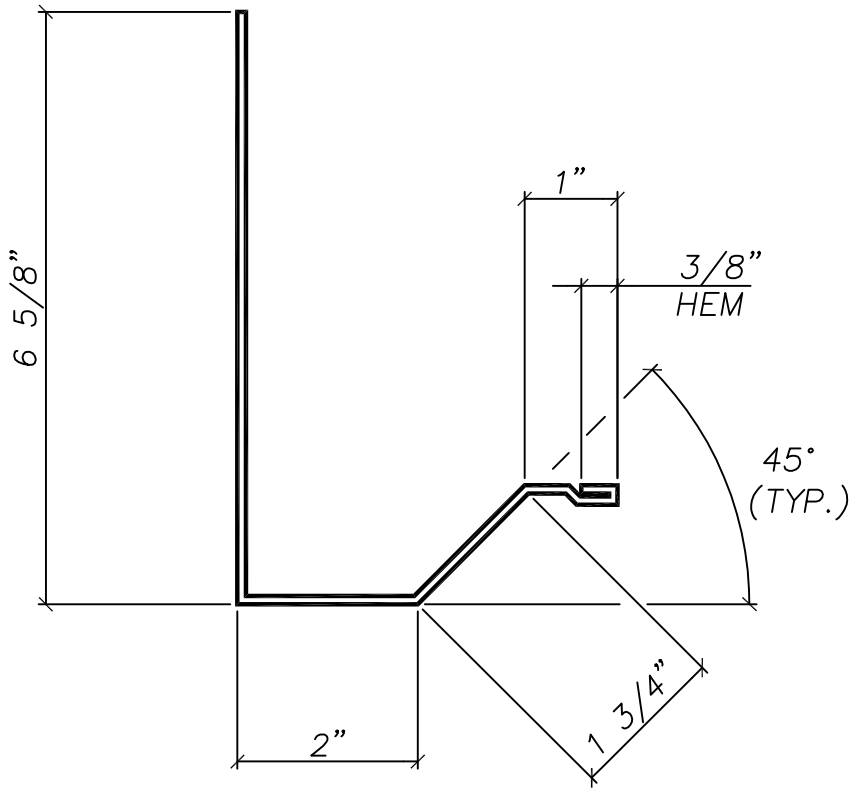
SHOP SPCL. CONDITIONS

DATE

DATE

① *Converted to ACAD Drawing* J.O. 2-21-03

② *REVISED LEG LENGTH* DJ 8-1-08



*COLOR SIDE* →

**SOFFIT TRIM**

**BLANK WIDTH:** 11 3/4"

MARK#	LENGTH	QTY.
TR-22		