



**STEEL BUILDINGS**

CUSTOMER

CBC JOB NO. T-1

**J**

DESIGNER

DRAWN

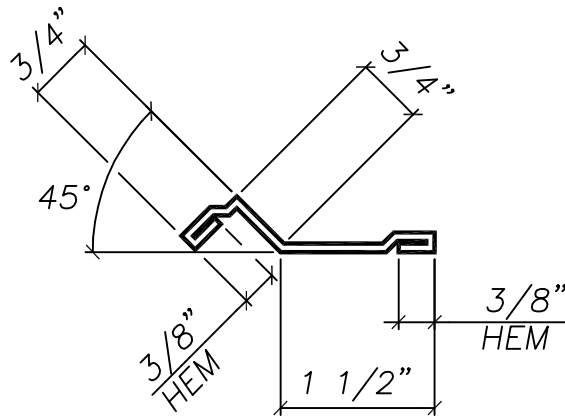
SHOP SPCL. CONDITIONS

DATE

DATE

⚠ *Converted to ACAD Drawing J.O. 2-21-03*

↙ COLOR SIDE



**WALKDOOR JAMB TRIM**

**BLANK WIDTH:** 3 3/4"

MARK#	LENGTH	QTY.
TR-14		