



STEEL BUILDINGS

CUSTOMER

CBC JOB NO.

T-1

DESIGNER

J

DRAWN

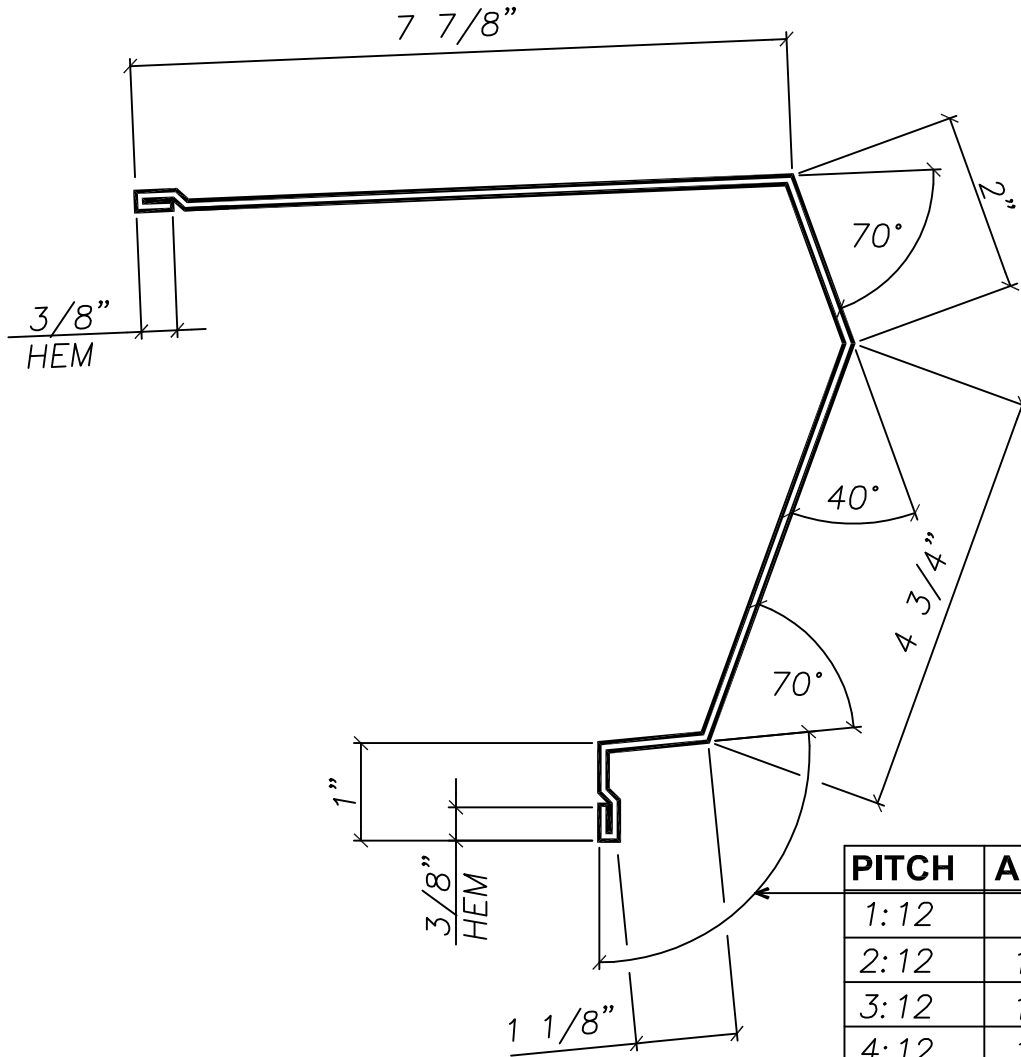
SHOP SPCL. CONDITIONS

DATE

DATE

1 Converted to ACAD Drawing J.O. 2-21-03

2 Added Pitches D.J. 11-10-05



PITCH	ANGLE
1:12	95°
2:12	100°
3:12	104°
4:12	108°
5:12	113°
6:12	117°

HIGH-SIDE EAVE TRIM

BLANK WIDTH: 1'-5 1/2"

MARK#	LENGTH	QTY.
TR-13		