



STEEL BUILDINGS

CUSTOMER

CBC JOB NO.

DESIGNER

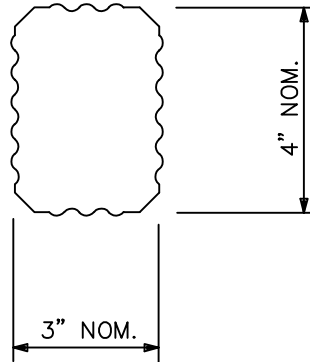
J
DRAWN

SHOP SPCL. CONDITIONS

DATE

DATE

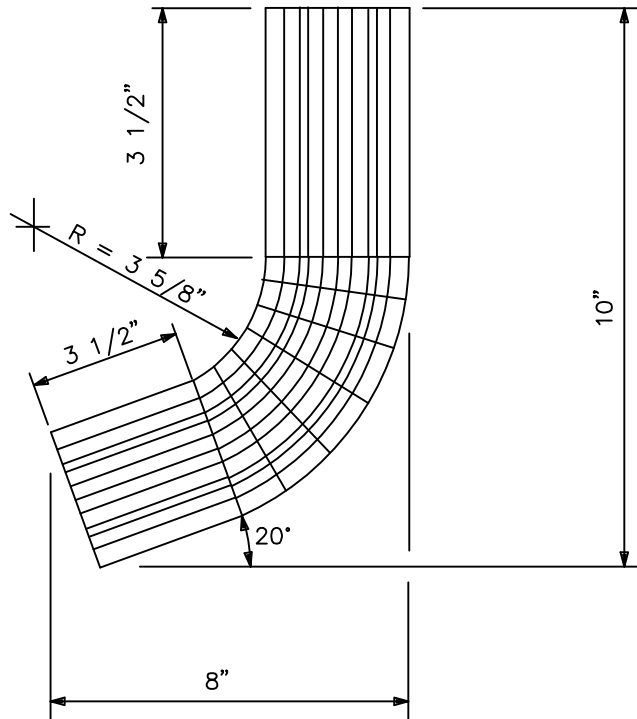
⚠ *Converted to ACAD Drawing DJ 8-1-08*



NOTE:

1. SEVEN SEMISYMETRICAL BREAKS OR FOLDS ARE REQUIRED @ ABOUT RADII TO ACHIEVE SMOOTH CURVE.

2. ALL LINEAR DIMENSIONS SHOWN ARE $\pm 1/8$ "



ELBOW

BLANK WIDTH: 13 3/4" x 1'-2"

MARK#	QTY.
TR-10-T	