



STEEL BUILDINGS

CUSTOMER

CBC JOB NO.

T-1

DESIGNER

J

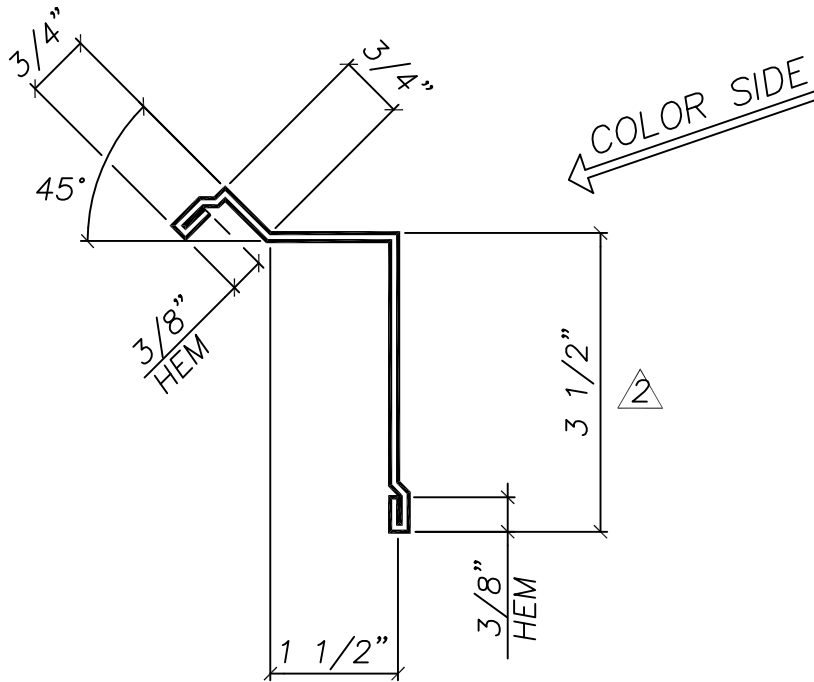
DRAWN

DATE

DATE

SHOP SPCL. CONDITIONS

- ① *Converted to ACAD Drawing* J.O. 2-21-03
- ② *Revised Dimensions* J.O. 5-19-04
- ③ *Revised Dimensions* D.J. 3-9-12



O.H. DOOR JAMB TRIM

BLANK WIDTH: 7 1/4"

MARK#	LENGTH	QTY.
TR-9		