



STEEL BUILDINGS

CUSTOMER

CBC JOB NO. T-1

J

DESIGNER

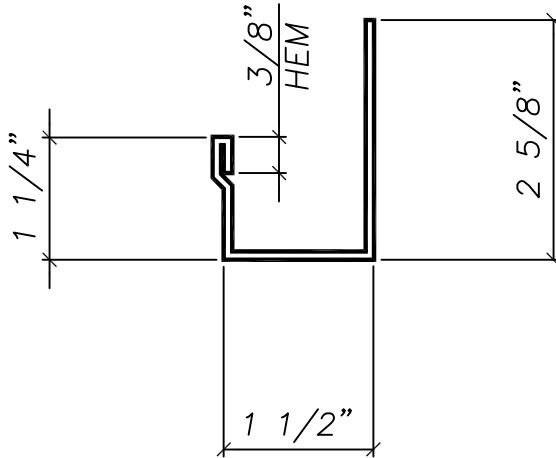
DRAWN

SHOP SPCL. CONDITIONS

DATE

DATE

⚠ *Converted to ACAD Drawing J.O. 2-21-03*



*COLOR SIDE* →

**HEADER/PANEL CAP**

**BLANK WIDTH:** 5 3/4"

MARK#	LENGTH	QTY.
TR-8		