



STEEL BUILDINGS

CUSTOMER

CBC JOB NO.

T-1

J

DESIGNER

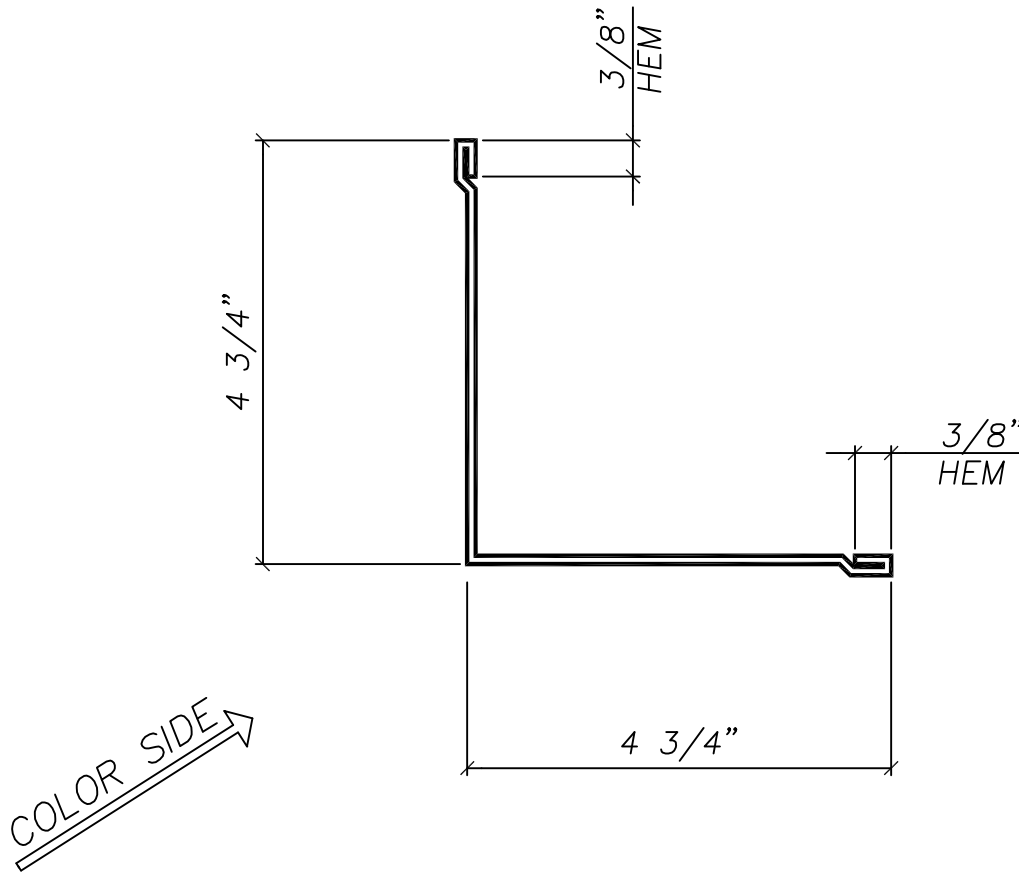
DRAWN

SHOP SPCL. CONDITIONS

DATE

DATE

⚠ *Converted to ACAD Drawing J.O. 2-21-03*



"A" PANEL CORNER TRIM

BLANK WIDTH: 10 1/4"

MARK#	LENGTH	QTY.
TR-7		