



STEEL BUILDINGS

CUSTOMER

CBC JOB NO.

T-1

DESIGNER

J

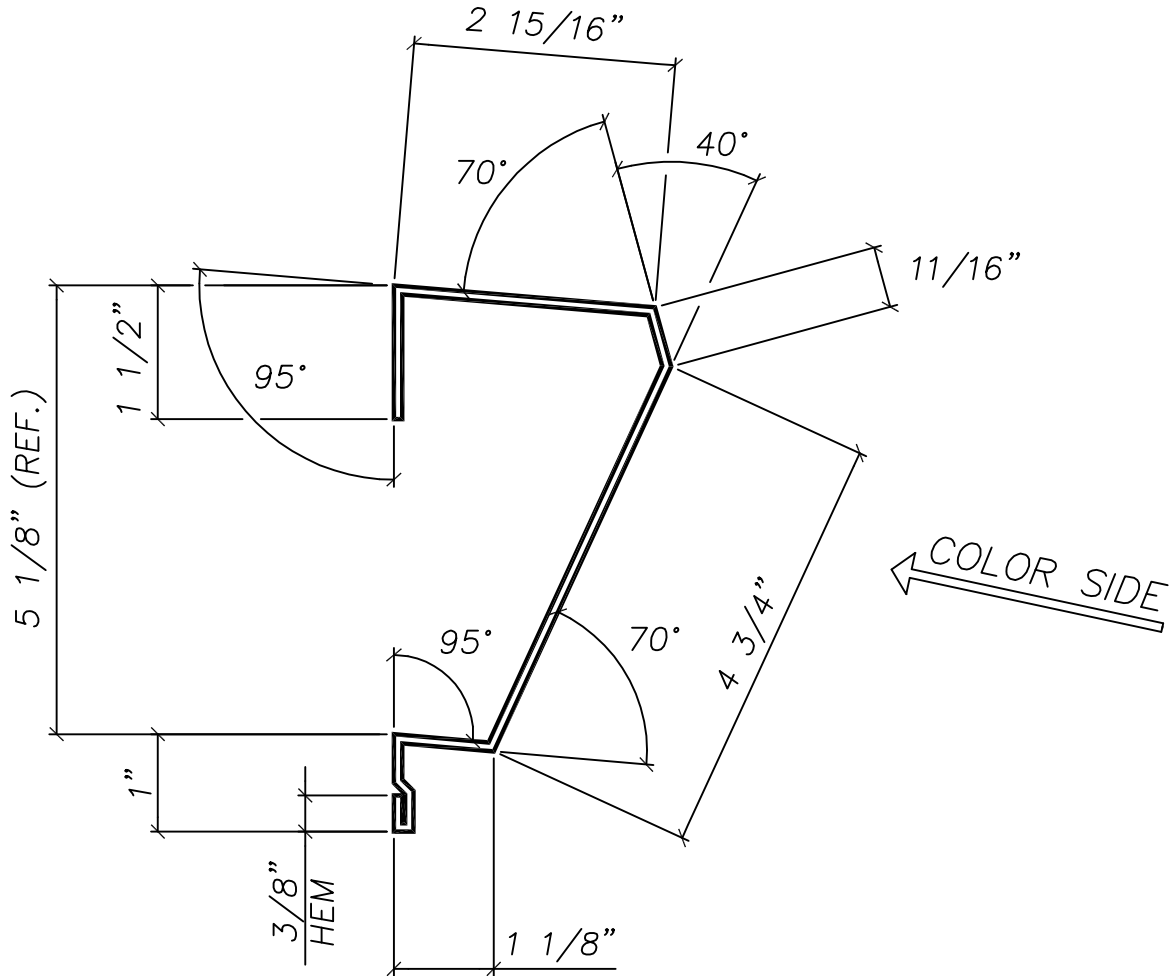
DRAWN

SHOP SPCL. CONDITIONS

DATE

DATE

⚠ *Converted to ACAD Drawing J.O. 2-21-03*



EAVE TRIM (1:12)

BLANK WIDTH: 1'-0 3/8"

MARK#	LENGTH	QTY.
TR-3		