



STEEL BUILDINGS

CUSTOMER

CBC JOB NO.

L-4

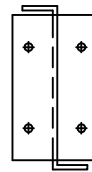
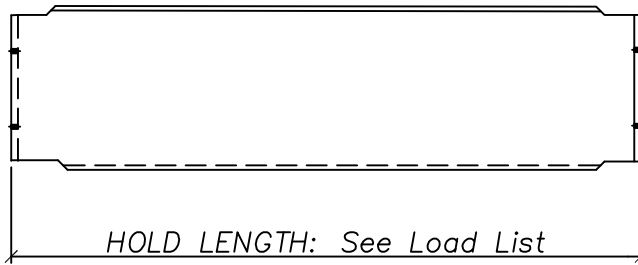
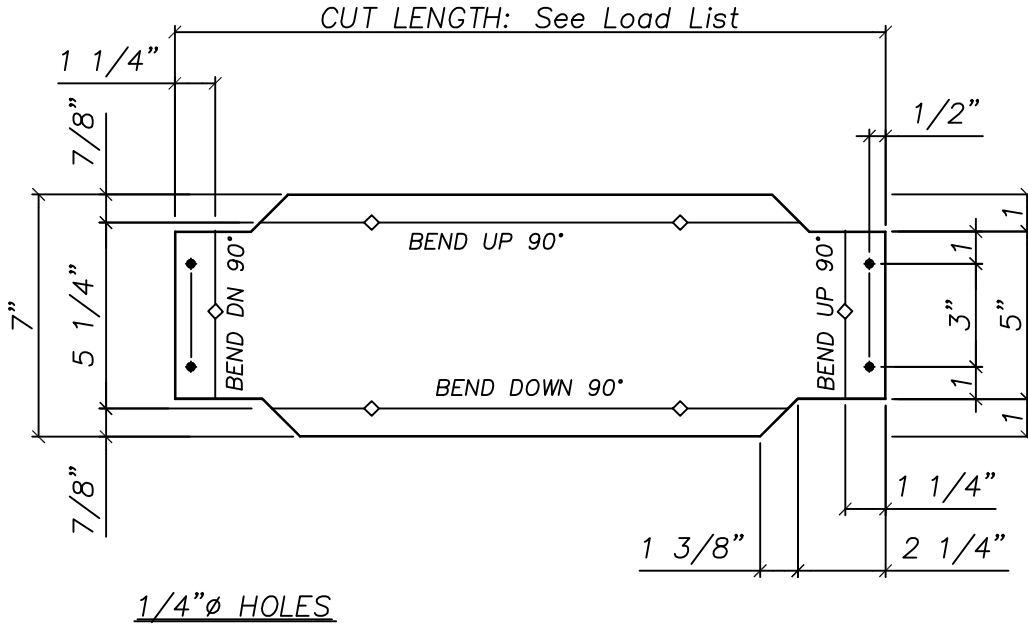
DESIGNER

DRAWN

DATE

DATE

SHOP SPCL. CONDITIONS



SAG BLOCKING (:12)

MAT'L: 16 Ga. Galv.

BLANK WIDTH: 7"

MARK#	LENGTH	QTY.
SB-		