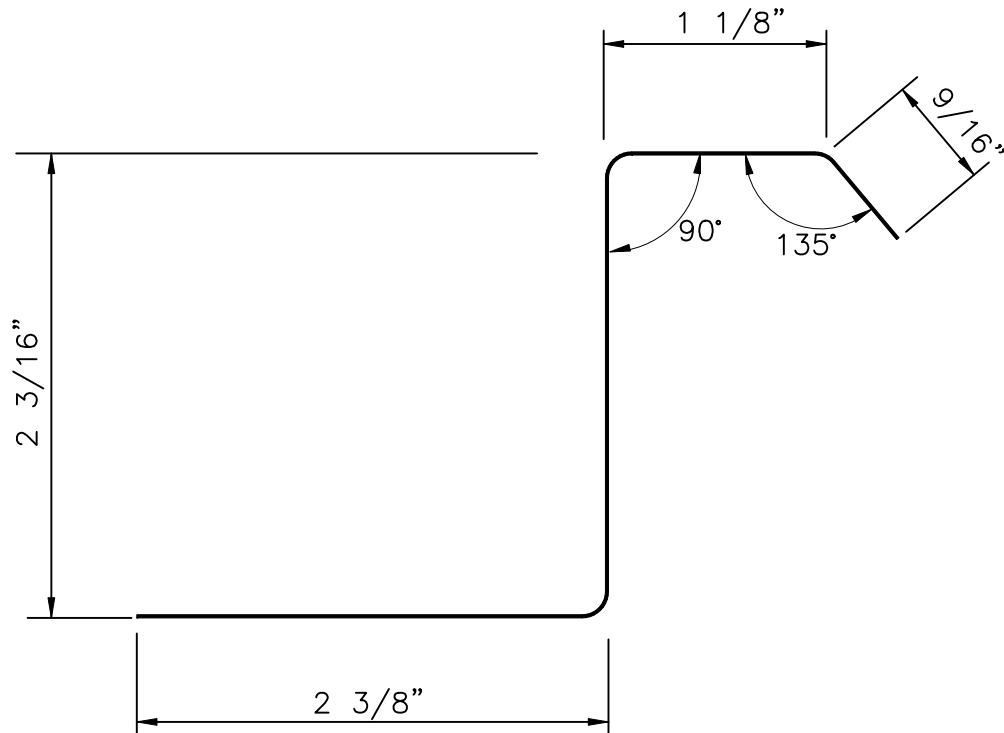


Mark Number	Material	Thk.	Width	Length	Weight
TRCZ	GRADE 55	18 Ga. (.0478)	6 1/4	* 15'-2"	15.41

Notes: All Bends 90° U.N. **Holes:** 9/16"φ U.N. **Slots:** 9/16" X 7/8" U.N. **Color:** ALCT

* 10'-2" (WEST DIVISION ONLY)



Issued	2-1-13	Release No.	Revision No.	Description
Drawn By	CAH	4.1.18 (West)	2 (5-9-18)	Ridge Closure Zee
Checked By	THG			



Parent Mark Number
TRCZ