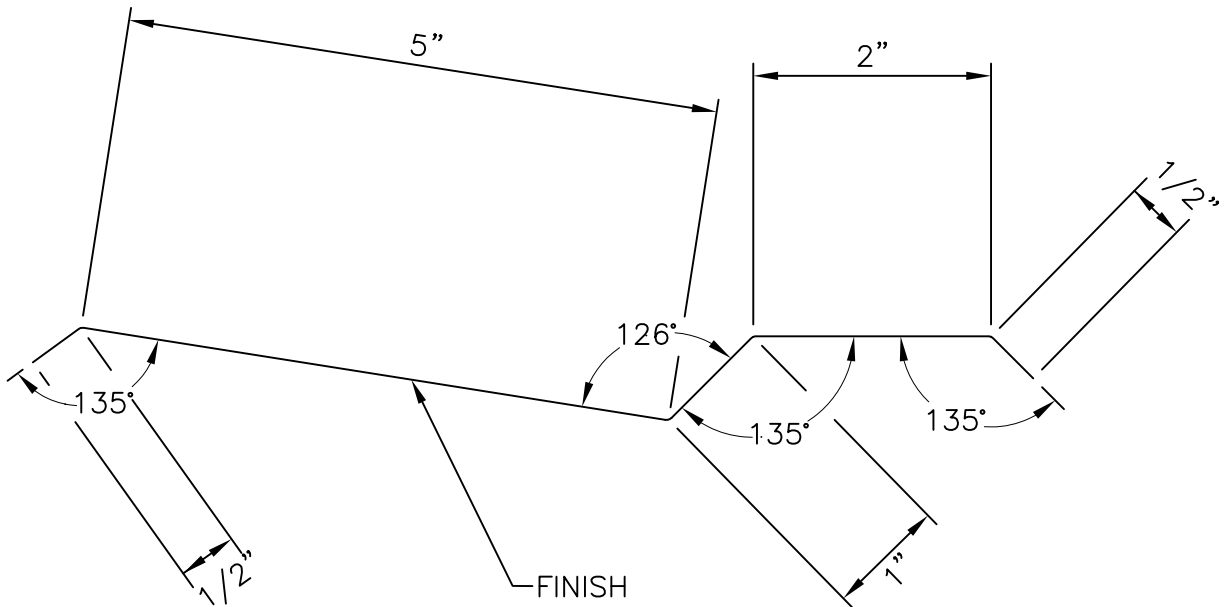


Mark Number	Material	Thk.	Width	Length	Weight
RG1	CS Type B	26 Ga.	9	15'-2"	8.21

Notes: All Bends 90° U.N. **Holes:** 9/16"∅ U.N. **Slots:** 9/16" X 7/8" U.N. **Color:** SEE TALLY



Issued	2-1-13	Release No.	Revision No.	Description
Drawn By	CAH	PB.04.2013	0	Reglet Flashing
Checked By	THG			

 <p>AMERICAN BUILDINGS COMPANY</p>	Parent Mark Number RG1
---	---