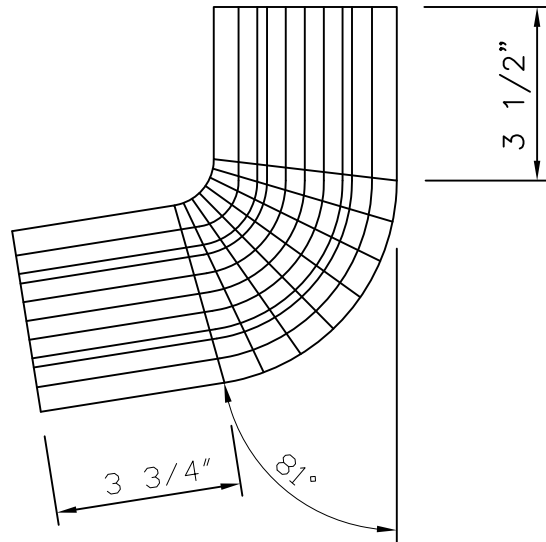
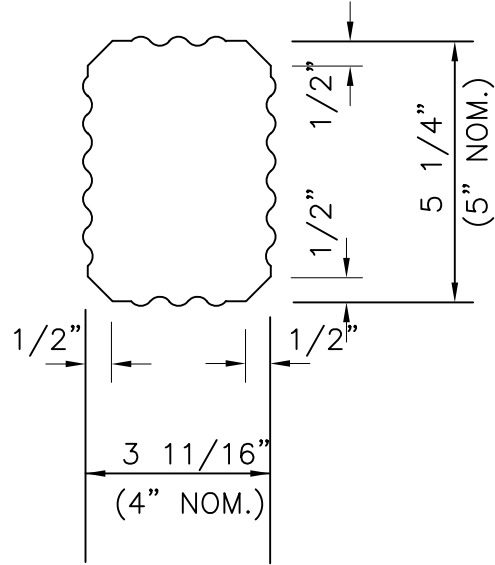



Mark Number	Material	Thk.	Width	Length	Weight
FDE2	CS Type B	26 Ga.	17 9/16	16 1/2" (Before Bending)	1.45

**Notes:** All Bends 90° U.N.      **Holes:** 9/16"φ U.N.      **Slots:** 9/16" X 7/8" U.N.      **Color:** SEE TALLY

- NOTE:  
 1. SEVEN SEMISYMETRICAL FOLDS ARE REQUIRED @ ABOUT RADII TO ACHIEVE SMOOTH CURVE.  
 2. ALL LINEAR DIMENSIONS SHOWN ARE ±1/8".



Issued	2-1-13	Release No.	Revision No.	Description
Drawn By	CAH	MR.2015.05	1 (5-29-15)	4x5 Downspout Elbow
Checked By	THG			

 <p>AMERICAN BUILDINGS COMPANY</p>	<p>Parent Mark Number</p> <p><b>FDE2</b></p>
-----------------------------------------------------------------------------------------------------------------------	----------------------------------------------