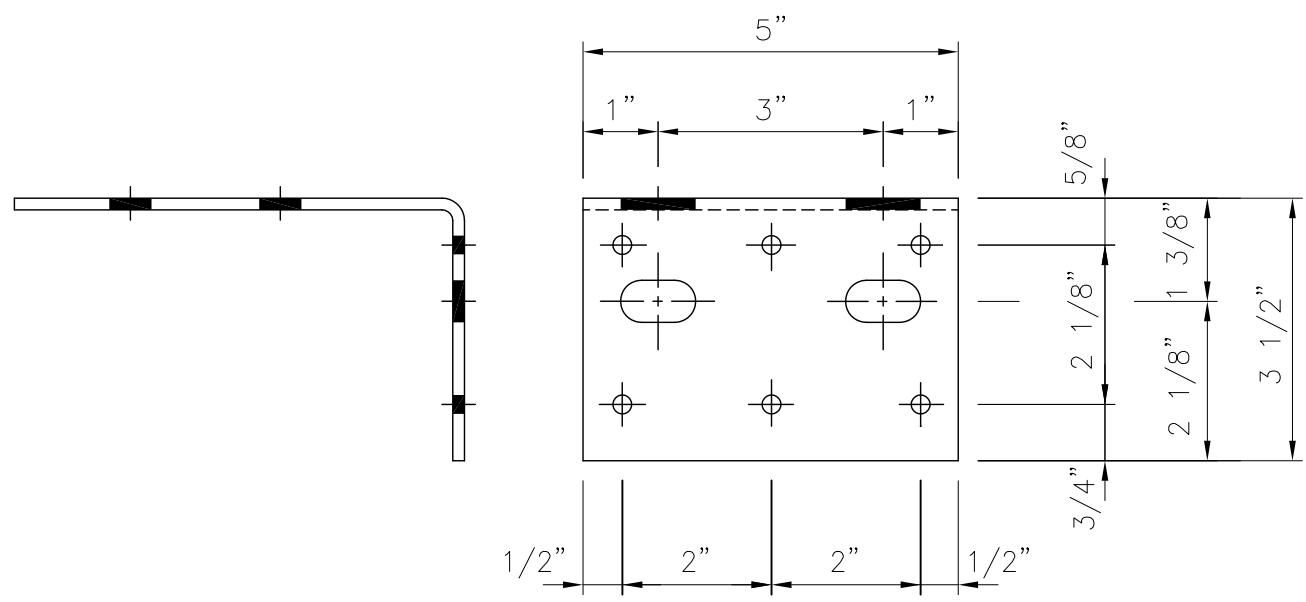
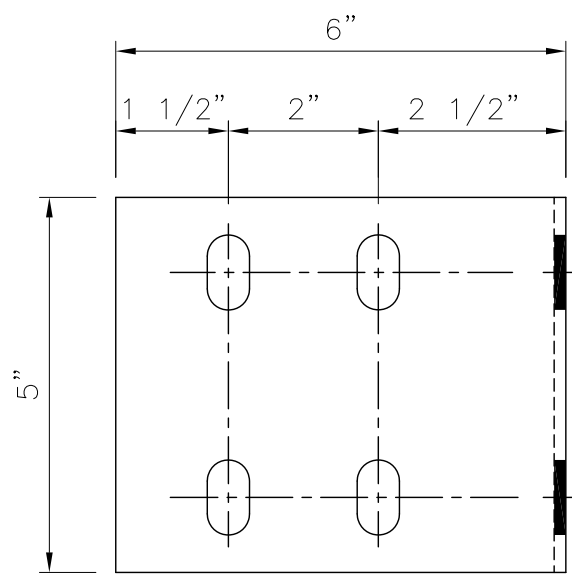


Mark Number	Material	Thk.	Width	Length	Weight
CL46	55 KSI	10 Ga. (Min.)	5"	9 1/4"	1.76

Notes: All Bends 90° U.N. **Holes:** 1/4"Ø U.N. **Slots:** 9/16" X 1" U.N. **Color:** SEE TALLY



Issued	3-28-14	Release No.	Revision No.	Description
Drawn By	JJH	PB.01.2014	0	Framed Opening Clip (Framed Opening with Header/Sill located 6" from Girt Line)
Checked By	DWL			



AMERICAN BUILDINGS COMPANY

CL46